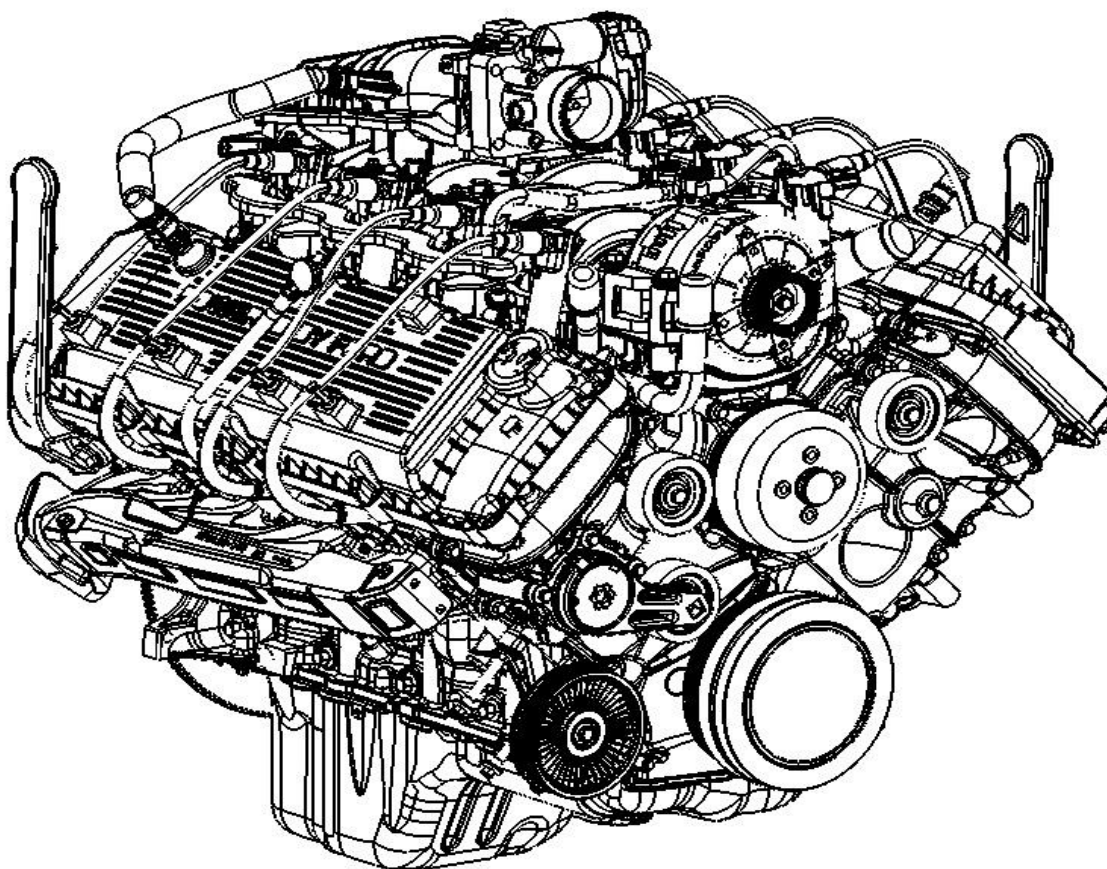




RSG862 Service Parts Manual



Part#: 1070190

Rev 3

9/11/2020

General Information

This catalog has been prepared to assist you, the owner, in identifying the correct replacement

Parts Information

Each listing contains base part number, part description and the quantity required to assist in indentifying and ordering the correct part.

NOTE: The descriptions and specifications contained in this manual were in effect at the time the book was released for printing. Engine Distributors, Inc. (EDI) reserves the right to discontinue models at any time, or change specifications or design, without notice and without

Reproduction in any manner, in whole or in part, is prohibited without the express permission in writing from Engine Distributors, Inc.

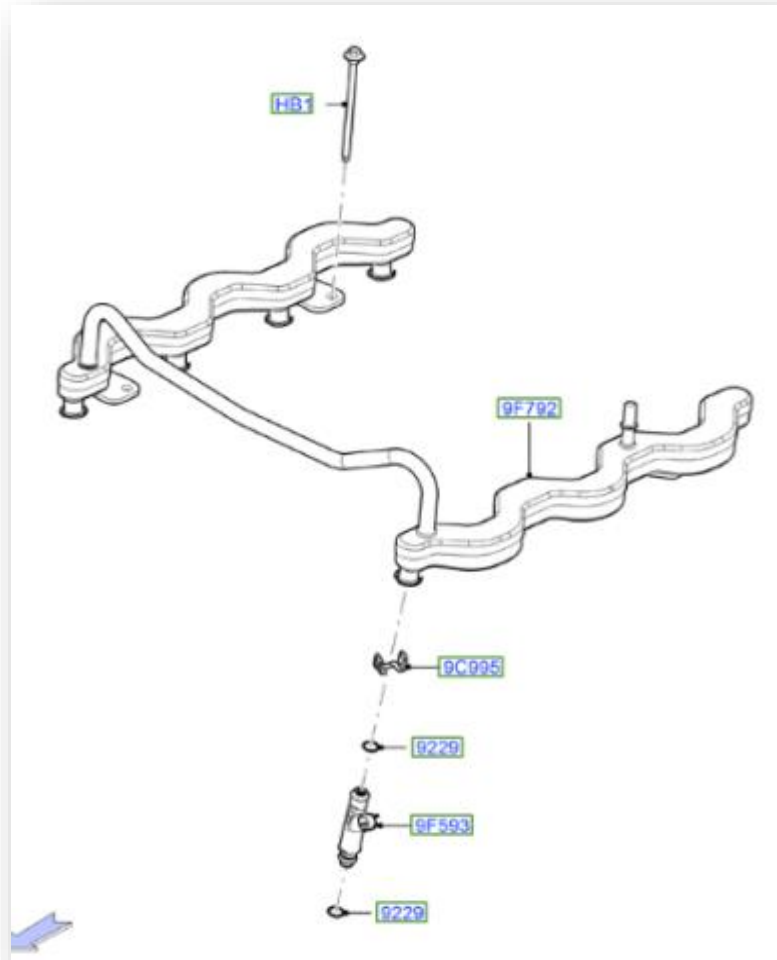


Engine Distributors Inc
400 University Ct.
Blackwood, NJ 08012
800-220-2700

INDEX

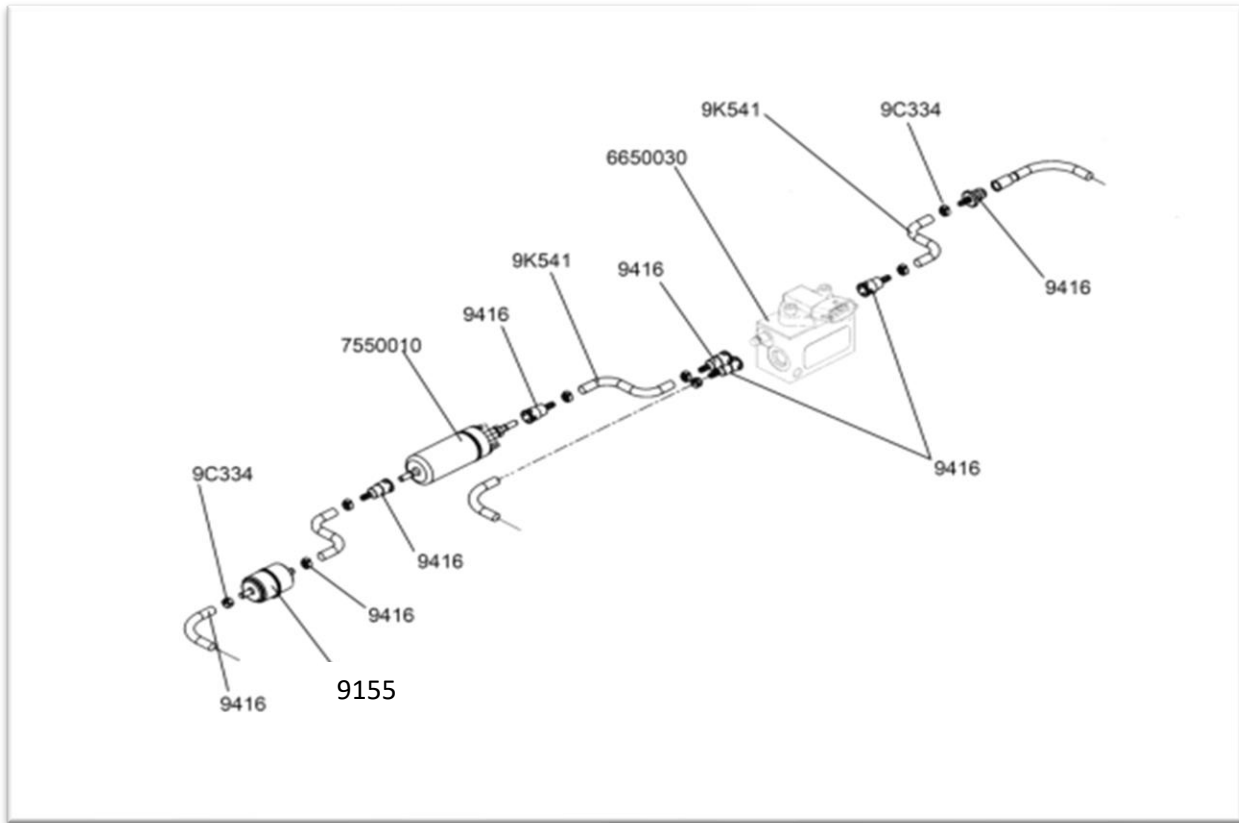
RSG862 Service Parts	Section	PAGE
Fuel System Fuel Rail and Injectors, Fuel Pump, LPG and NG Mixers/Pressure Regulators, Lockoff Valves	1	3
Electrical System Starter, Alternator, Relays, Sensors and Wiring Harnesses	2	9
Exhaust Catalyst Muffler, Manifold	3	14
Intake Manifold, Bosch Governor, Throttle Adapter	4	15
FEAD Tensioner, Pulleys	5	16
Flywheel and Housings Flatface Flywheel, SAE Flywheel and Housing	6	18
Cooling System Thermostat, Water Pump, Coolant Outlet and Tube, Radiator Packages	7	19
Oil System Filter, Oil Pan, Pickup, Pump and Chain	8	21
Base Engine Camshafts, Valve Cover, Crankshaft and Bearings, Cylinder Head, Crankcase Ventilation, Pistions, Timing Chain and Gears, Front Cover	9	23
Miscellaneous Optional Add-ons	10	31
Manual & Labels	11	33

Gasoline Fuel Rail and Injectors



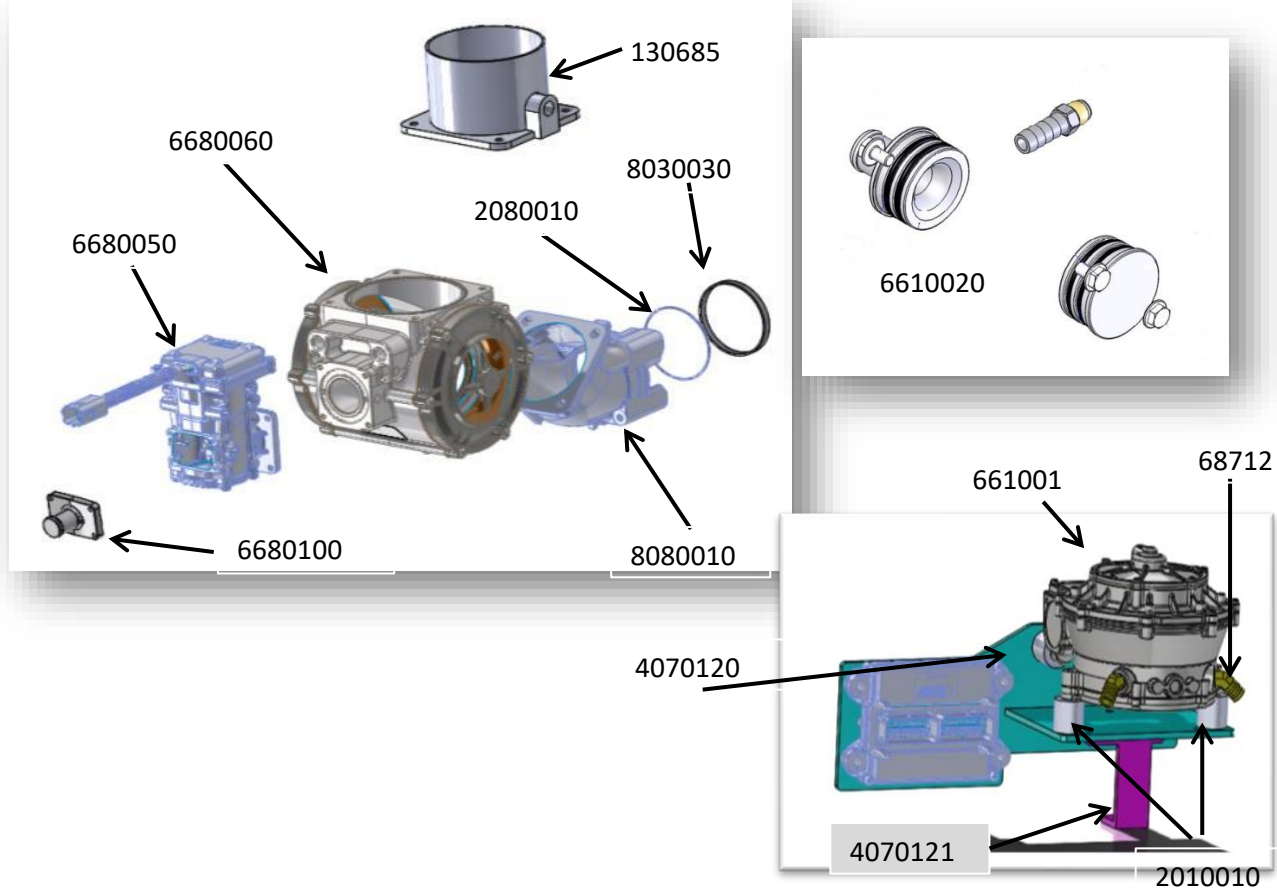
Quantity	Description	Part #	Notes
8	Fuel Injector (9F593)	FC3Z-9F593-A	Motorcraft #: CM-5243
8	Fuel Injector Retainer (9C995)	9L3Z-9C995-A	
1	Fuel Rail (9F792)	HC3Z-9F792-A	
A/R	Injector Seals (9229)	7C2Z-9229-A	
A/R	Bolt (HB1)	W714633-S900	M6 x 96mm
1	Fuel Injector Harness (not shown)	5270060	

Gasoline Fuel Pump, Block, and Lines



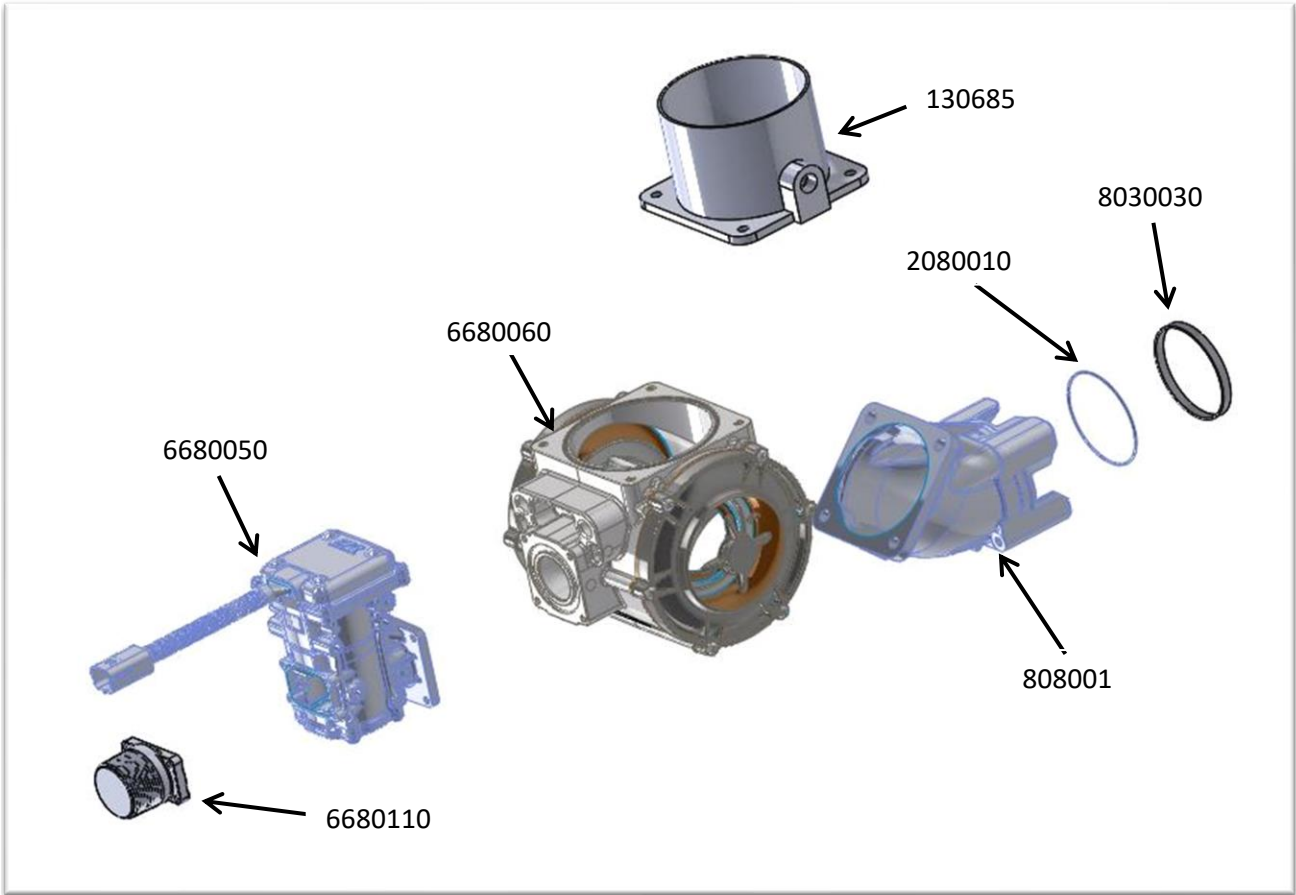
Quantity	Description	Part #
1	Gasoline Fuel Pump	7550010
1	Gasoline Fuel Block	6650030
2	Fuel Block Fitting - SAE 6	2050040
1	Fuel Block Fitting - SAE 3	2050050
1	Fuel Pump Fitting - M10	2050030
1	Fuel Pump Fitting Washer	1118659
1	Fuel Filter	F89Z-9155-A
1	Fuel Pump Mounting Clamp	6660020
8	Fuel Line Clamps	F8JL-9C334-AA
8	Fuel Clips (Quick Disconnects)	F68A-9416-BA
A/R	Fuel Line	6590010

LPG Fuel System; Mixer, DEPR, Vapor Regulator



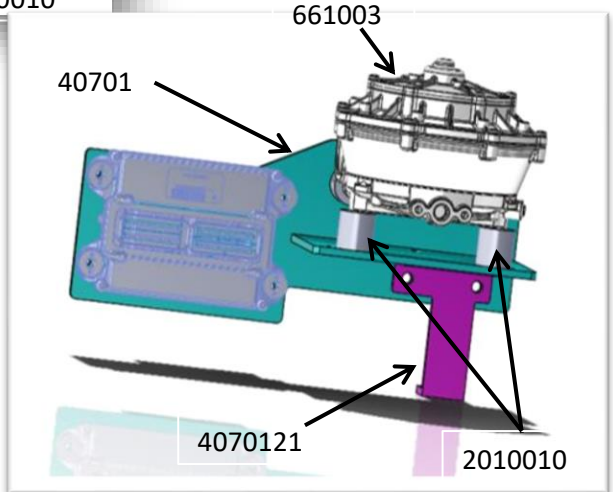
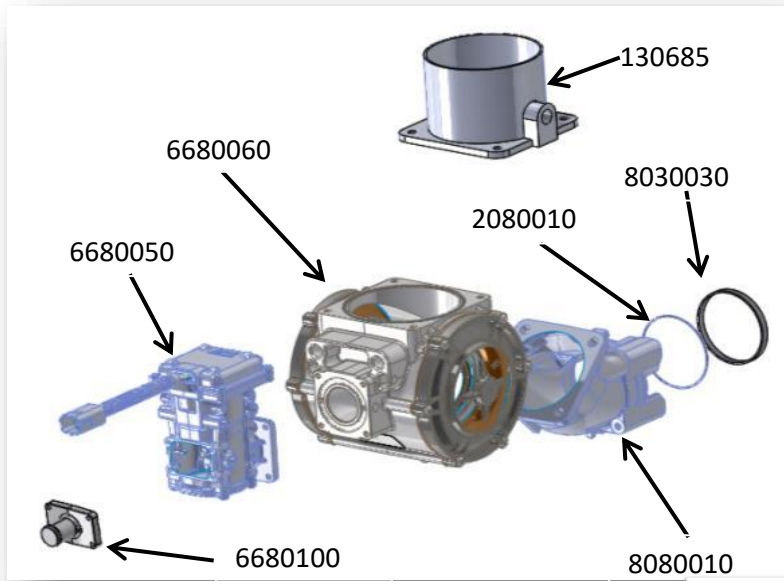
Quantity	Description	Part #
1	LP/NG Mixer	6680060
1	Mixer to Governor Adapter	8080010
1	Mixer to Governor Adapter flat, spacer	8030030
1	Mixer to Governor Adapter o-ring smooth	2080010
1	LPG Vapor Regulator	6610010
1	Vapor Regulator Fuel Outlet Fitting	6610020
1	Vapor Regulator Coolant Fitting 45°	68712
1	Vapor Regulator Coolant Fitting 90°	69948
1	Direct Electronic Pressure Regulator (DEPR)	6680050
1	DEPR Straight Fitting - 3/4" Barb	6680100
A/R	Vapor Hose	VH34
2	Mixer Diaphragm Replacement Kit	6610040
2	LPG Vapor Regulator Coolant Hose	F8JL-18472-AA
1	Vapor Regulator Mounting Bracket	4070120
1	Mounting Bracket Support	4070121
4	Vapor Regulator Isolators	2010010
1	Air Horn straight (pictured)	130685
1	Air Horn 45°	E1-7

Low Pressure NG Fuel System



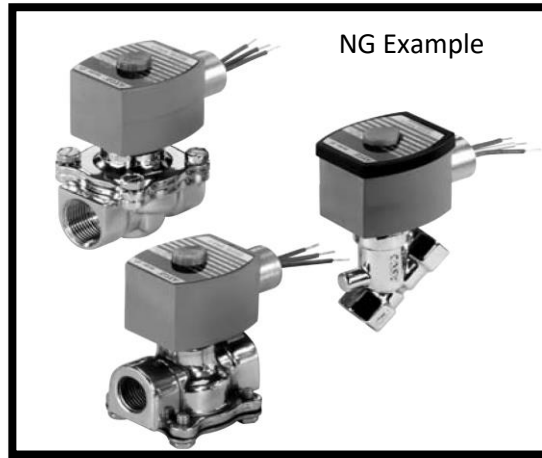
Quantity	Description	Part #
1	LP/NG Mixer	6680060
1	Mixer to Governor Adapter	8080010
1	Mixer to Governor Adapter flat, spacer	8030030
1	Mixer to Governor Adapter o-ring smooth	2080010
1	Direct Electronic Pressure Regulator (DEPR)	6680050
1	DEPR Straight Fitting 1-1/4"	6680110
2	Mixer Diaphragm Replacement Kit	6610040
1	Mixer Air horn straight (pictured)	130685
1	Mixer Air Horn 45°	E1-7

CNG Fuel System; Mixer, DEPR, Vapor Regulator



Quantity	Description	Part #
1	LP/NG Mixer	6680060
1	Mixer to Governor Adapter	8080010
1	Mixer to Governor Adapter flat, spacer	8030030
1	Mixer to Governor Adapter o-ring smooth	2080010
1	CNG Vapor Regulator	6610030
1	Vapor Regulator Fuel Outlet Fitting	6610020
2	Vapor Regulator Coolant Fitting	68712
1	Direct Electronic Pressure Regulator (DEPR)	6680050
1	DEPR Straight Fitting - 3/4" Barb	6680100
1	Vapor Regulator Mounting Bracket	4070120
1	Mounting Bracket Support	4070121
4	Vapor Regulator Isolators (2 pictured)	2010010
A/R	Vapor Hose	VH34
2	Mixer Diaphragm Replacement Kit	6610040

Lockoff Valves

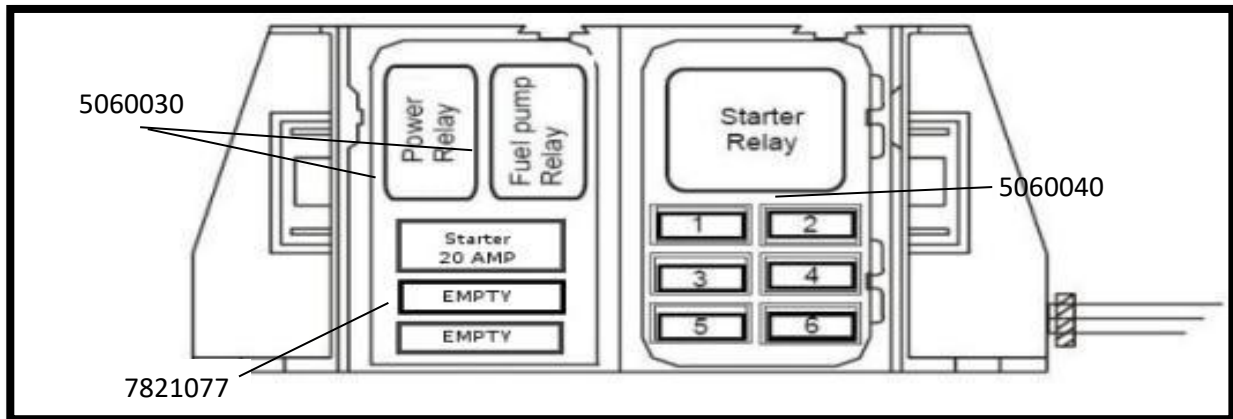
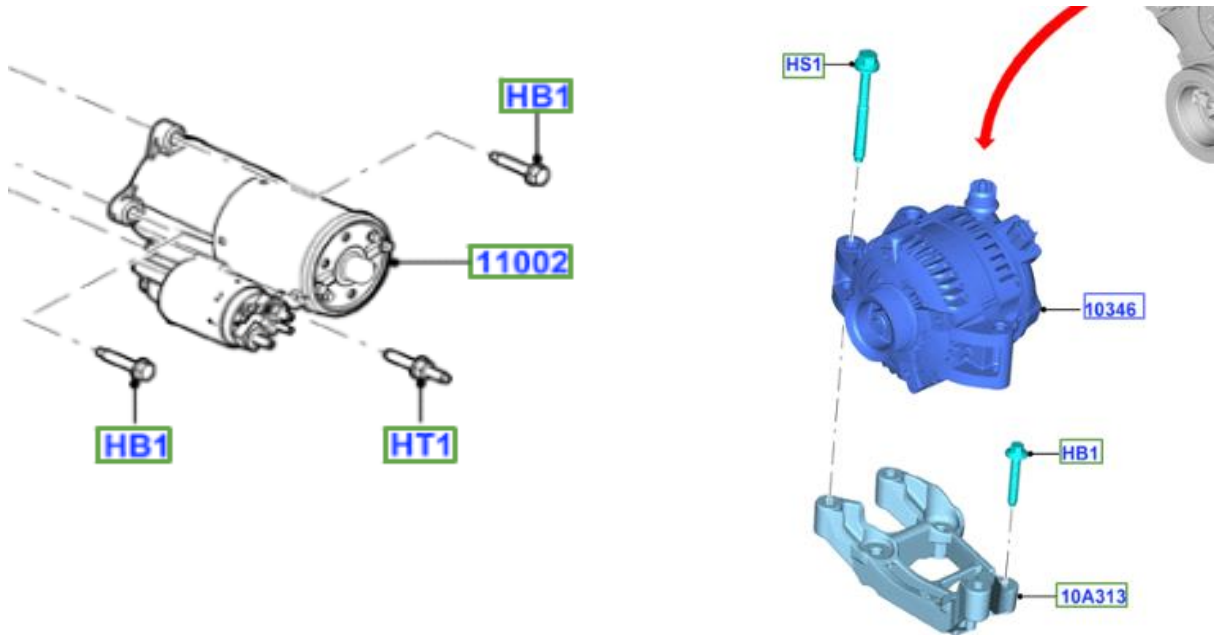


Quantity	Description	Part #
1	12V LPG Shutoff valve	6690020
1	12V LPG Shutoff Valve 90 deg	N301641
1	12V NG Shutoff valve - 1-1/4" NPT	8214G261
1	12V LPG Shutoff Valve w/ filter	6690020

Lock Off Accessories

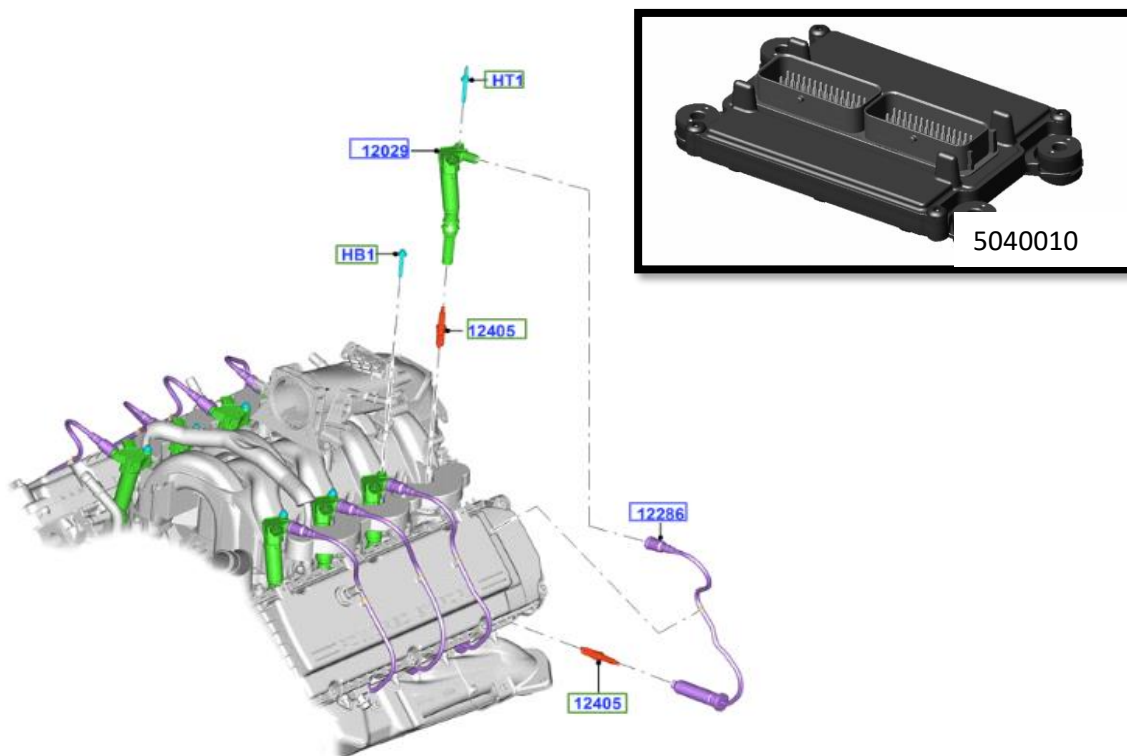
1	6690020 Filter Replacement	6630030
1	Shutoff Valve Connector kit	5010030A

Starter, Charging System, and Relays



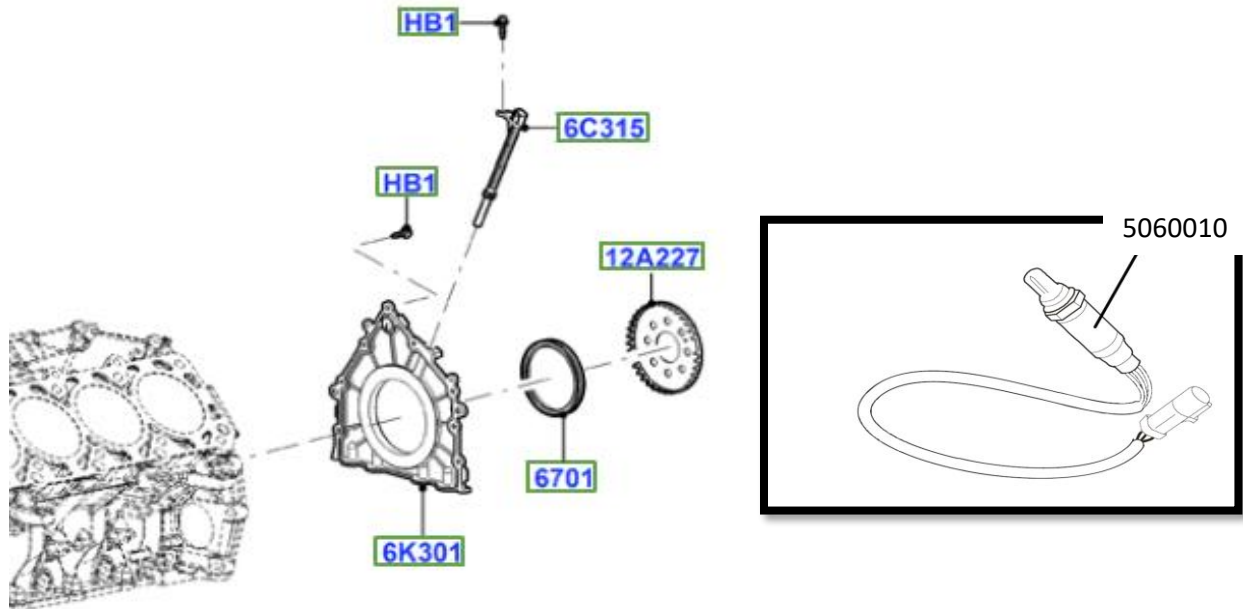
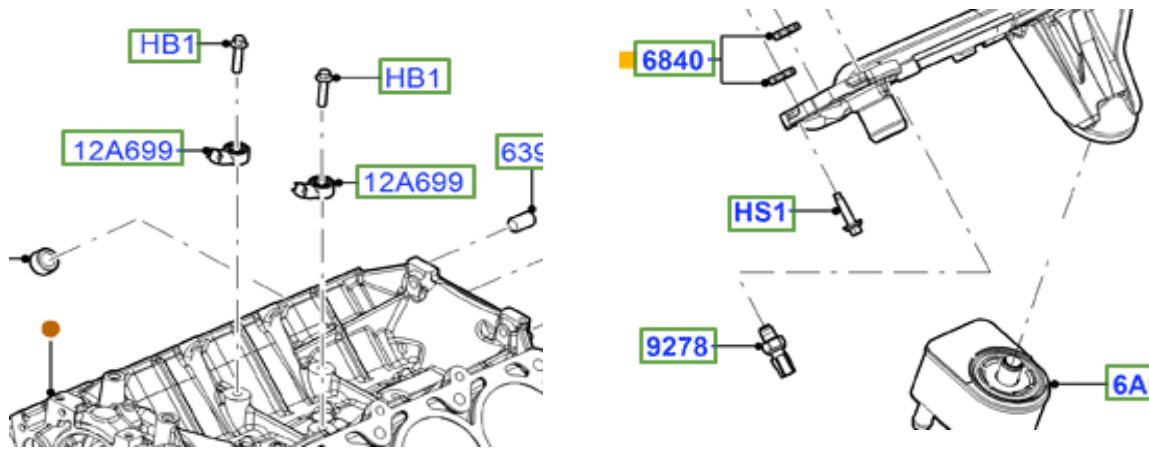
Quantity	Description	Part #
1	Starter (11002)	5120010
1	Alternator (10346)	HC3Z-10346-A (MC #: GL 8821)
1	Alternator Bracket (10A313)	AL3Z-10A313-E
1	Alternator Mounting Bolt (HB1)	W716918-S437 (M8 X 47MM)
A/R	Alternator Mounting Screw (HS1)	W715092-S437 (M10 X 90MM)
2	Fuel Pump and Power Relays	5060030
1	Starter Relay	5060040
1	Relay Box Top	5210010
1	Relay Box Top Sticker	5210020
1	Fuse Box Mount, right	5210040
1	Fuse box mount, left	5210050
1	Starter Fuse 20 AMP	7821077

Ignition and Engine Control



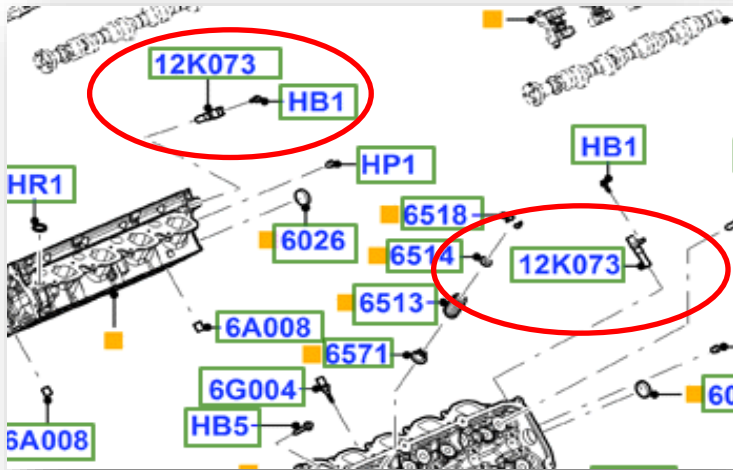
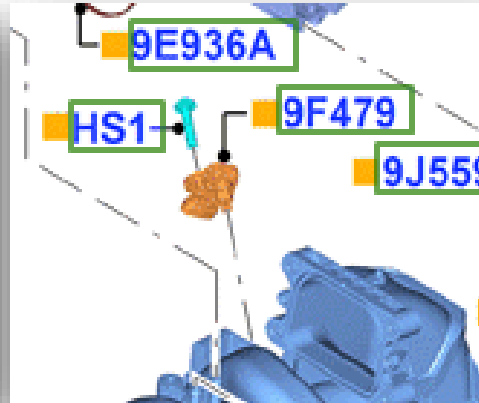
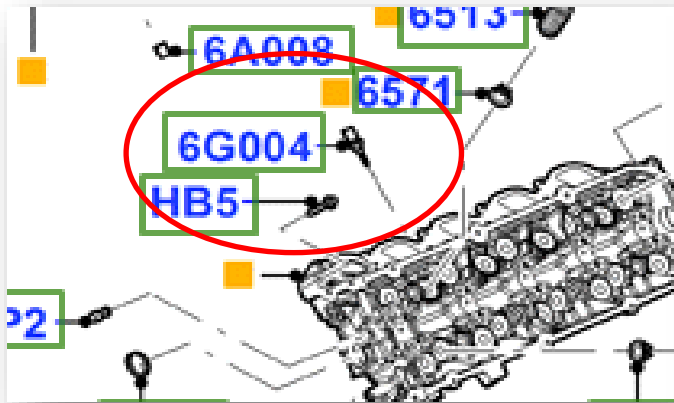
Quantity	Description	Part #
1	ECU (4G)	5040010
4	Left Hand Coil Packs (12029)	AL3Z-12029-B (MC #: DG-526)
4	Right Hand Coil Packs (12029)	AL3Z-12029-A (MC #: DG-525)
8	Ignition Wire Assembly (12286)	HC3Z-12286-D (MC #: WR-6156)
2	Ignition Coil Mounting Stud (HT1)	W709845-S437 (M6 X 16MM, M6 X 45MM)
A/R	Ignition Coil Mounting Bolt (HB1)	W503282-S437 (M6 X 45MM)
16	Spark Plug (12405)	CYFS-12-FP (MC #: SP-526)
8	Lower Spark Plug Boot Thermal Sleeve	6670020

Sensors - Page 1 of 2



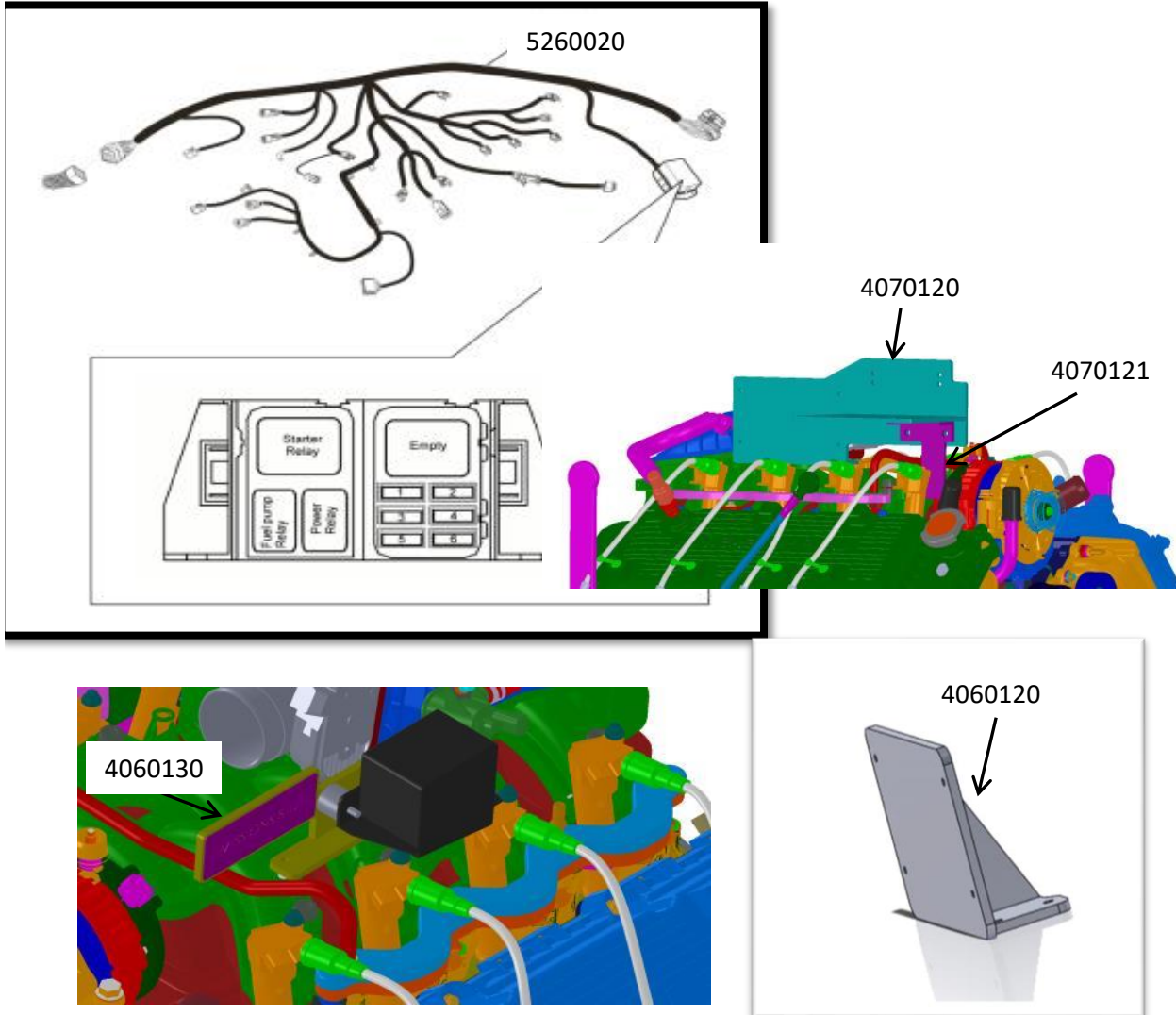
Quantity	Description	Part #
1	Oil Pressure Switch (9278)	GC3Z-9278-A (MC #: SW-7676)
2	Knock sensor (12A699)	AL3Z-12A699-BA
1	Crank Sensor (6C315) Serial # <=PNR00209	AL3Z-6C315-A
1	Crank Sensor (6C315) Serial # >=PNR00210	LC3Z-6C315-A
2	Exhaust O2 Sensor (pre and post catalyst)	5060010

Sensors - Page 2 of 2



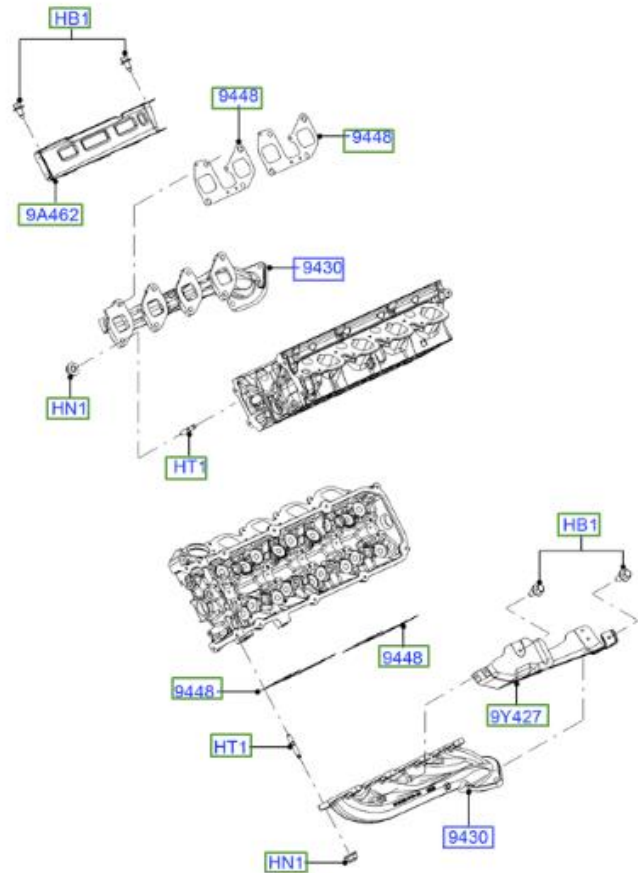
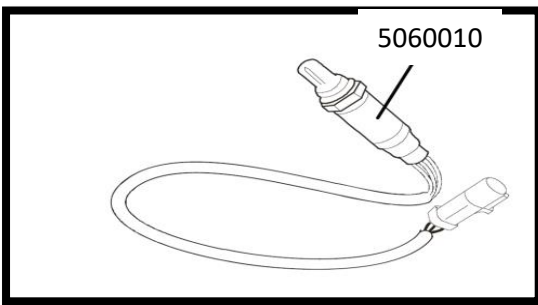
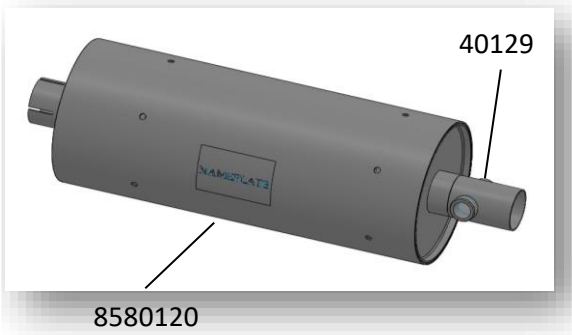
Quantity	Description	Part #
1	Cylinder HeadTemp Sensor (6G004) Serial # <= PNR00209	9L8Z-6G004-G
1	Cylinder HeadTemp Sensor (6G004) Serial # >= PNR00210	GN1Z-6G004-A
1	MAP Sensor (9F479)	6E5A-9F479-BB
1	TMAP Sensor	5050030
2	CAM Position Sensor (12K073) Serial # <=PNR00209	AL3Z-12K073-A (MC #: DU-91)
2	CAM Position Sensor (12K073) Serial # >=PNR00210	LC3Z-6B288-A

Harnesses and Misc.



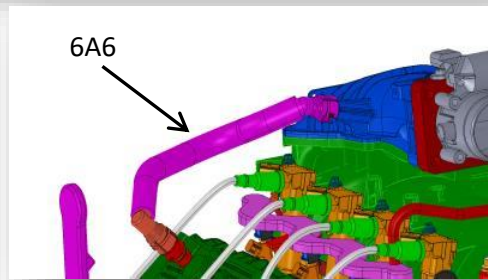
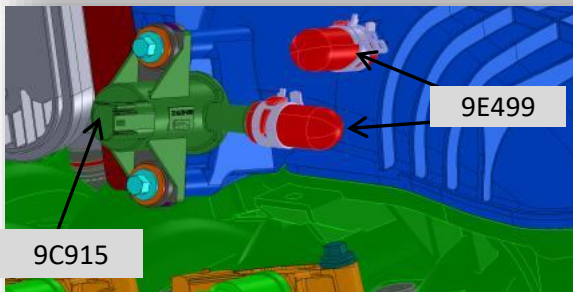
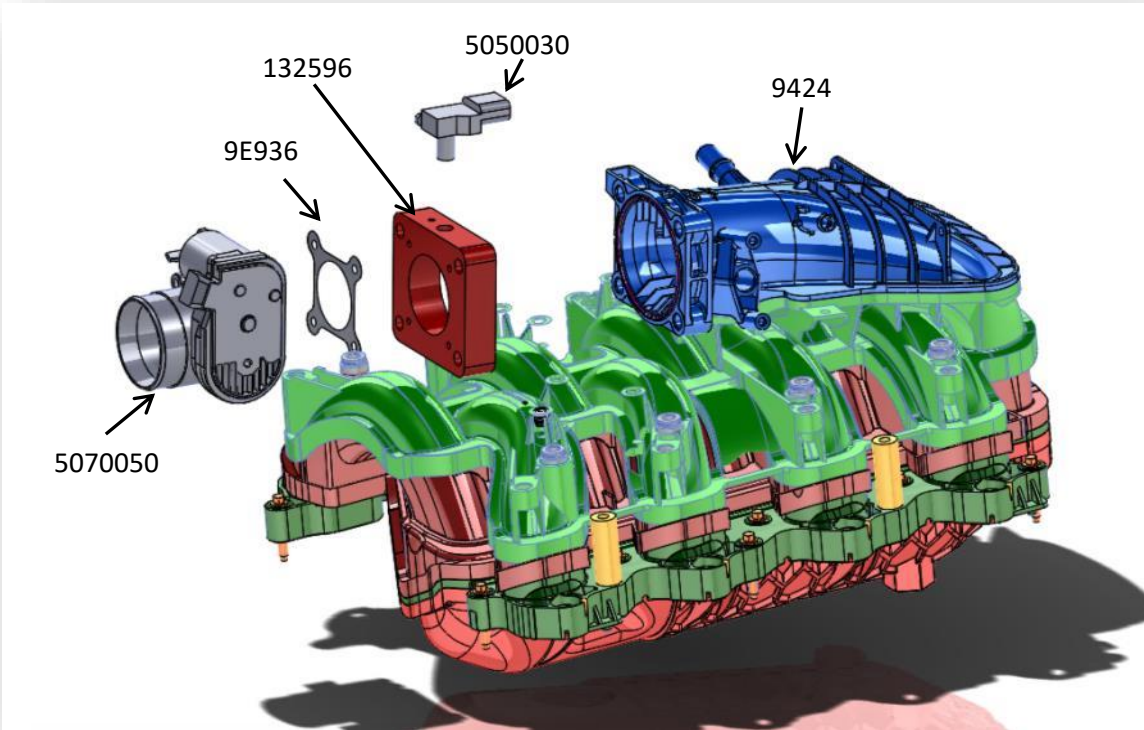
Quantity	Description	Part #
1	Engine Harness Serial # <= PNR00209	5260020
1	Engine Harness Serial # >=PNR00210	5260021
1	CHT/ Knock Sensor Harness Serial # <= PNR00209	HU5Z-14A411-E
1	CHT/ Knock Sensor Harness Serial # >= PNR00210	LU5Z-14A411-D
1	Gasoline Fuel Block Harness	5260010
1	Fuel Injector Harness	5270060
2	Fuse box isolators	50959-5
1	Bracket for ECU (gasoline, NG)	4060120
1	Bracket for ECU / Vapor Regulator (LPG/CNG)	4070120
1	Support Bracket for 4070120	4070121
1	Fuse Box Bracket	4060130
1	GCP Connector Slide Lock	5240030
1	GCP Connector Cover	5240020
1	Diagnostic Software and Cable	5080050

Exhaust System Components



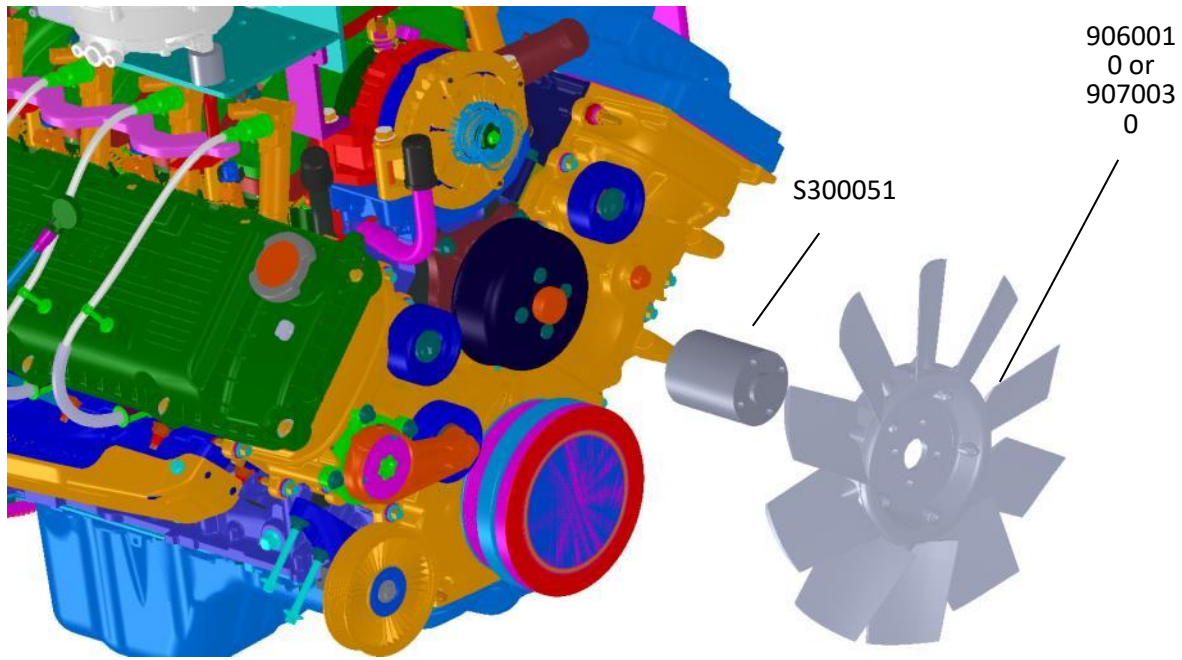
Quantity	Description	Part #
1	Catalyst Muffler	8580120
1	Cat Muffler O2 Plug (M18)	40129
1	R.H. Exhaust Manifold (9430)	131430
1	L.H. Exhaust Manifold (9430)	BC3Z-9431-DA
1	R.H. Exhaust Manifold Heat Shield (9A462)	AL3Z-9A462-A
1	L.H. Exhaust Manifold Heat Shield (9A427)	AL3Z-9Y427-A
4	Exhaust Manifold gasket (9448)	BC3Z-9448-B
4	Heat Shield Mounting Bolts (HB1)	W716090-S437
A/R	Manifold Mounting Studs (HT1)	W714869-S431
16	Manifold Mounting Nuts (HN1)	W714870-S430
2	Exhaust O2 Sensor (pre and post catalyast)	5060010
1	Pre-Cat Sensor Pipe Bung	F5AC9J467CA
1	Y-Pipe	8560250

Intake Air System



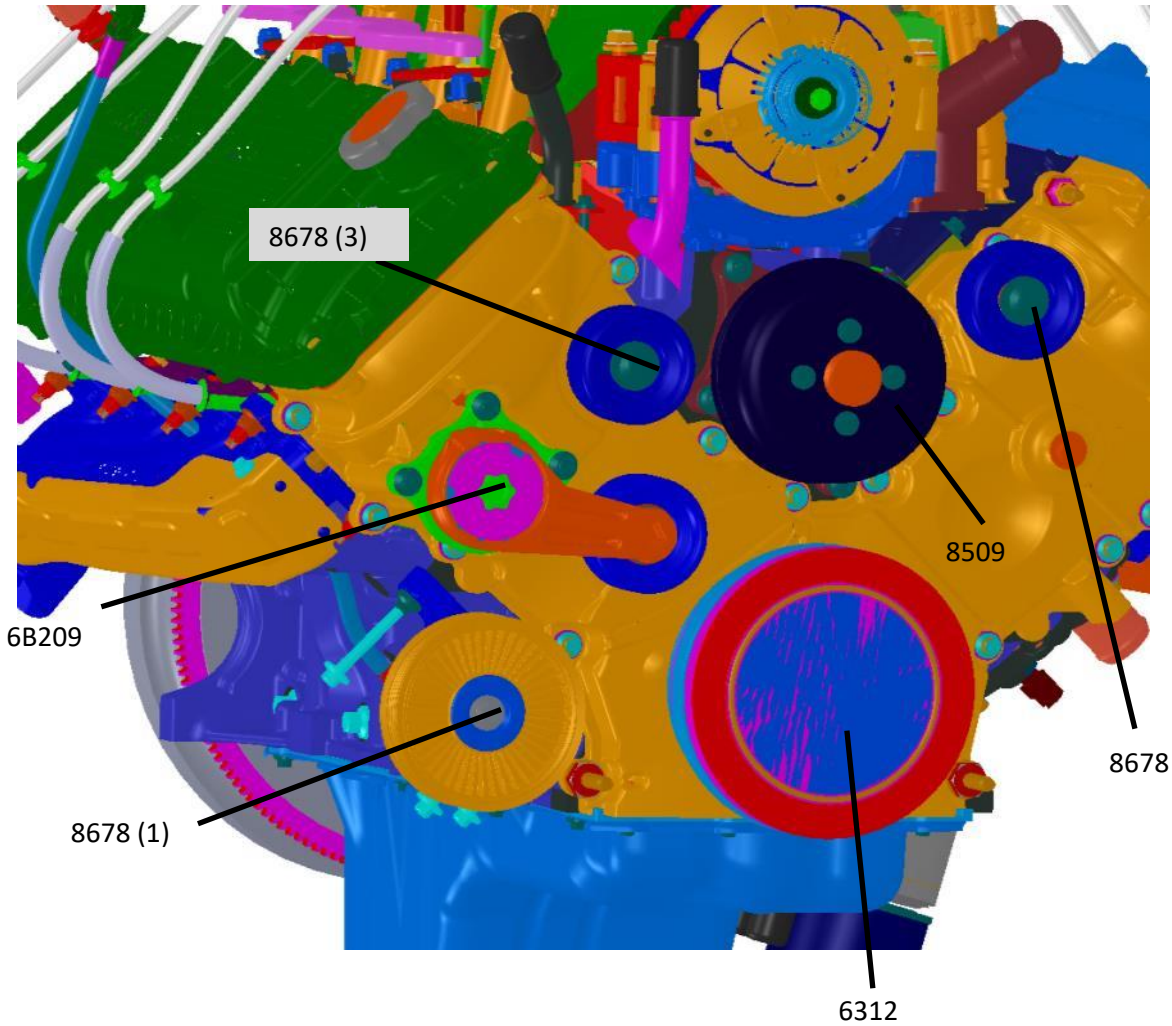
Quantity	Description	Part #
1	Bosch Governor	5070050
1	Bosch Governor Gasket	1U1L-9E936-BA
1	Governor to Intake Manifold Adapter	132596
1	Intake Manifold	AL3Z-9424-GFC
1	TMAP Sensor	5050030
1	Unused Evap Solenoid	AU5Z-9C915-BFC
2	Evap solenoid bolts	W503278-S437
2	Intake Vacuum Caps	AL3Z-9E499-A
1	PCV Tube	AL3Z-6A664-A

Cooling Fan Drive and Pulleys



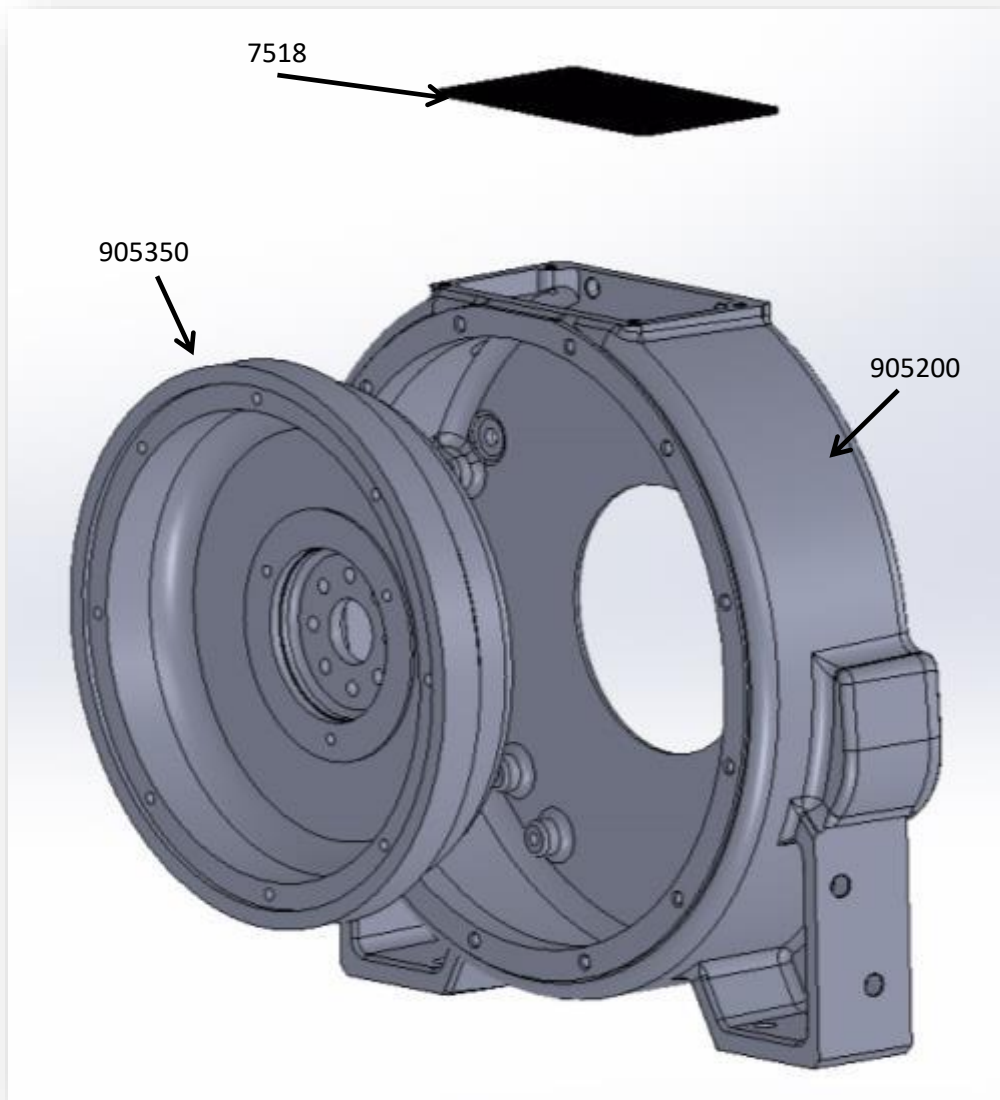
Quantity	Description	Part #
1	Fan Spacer	S300051
1	18" Pusher Fan	9060010
1	18" Suction Fan	9070030

FEAD



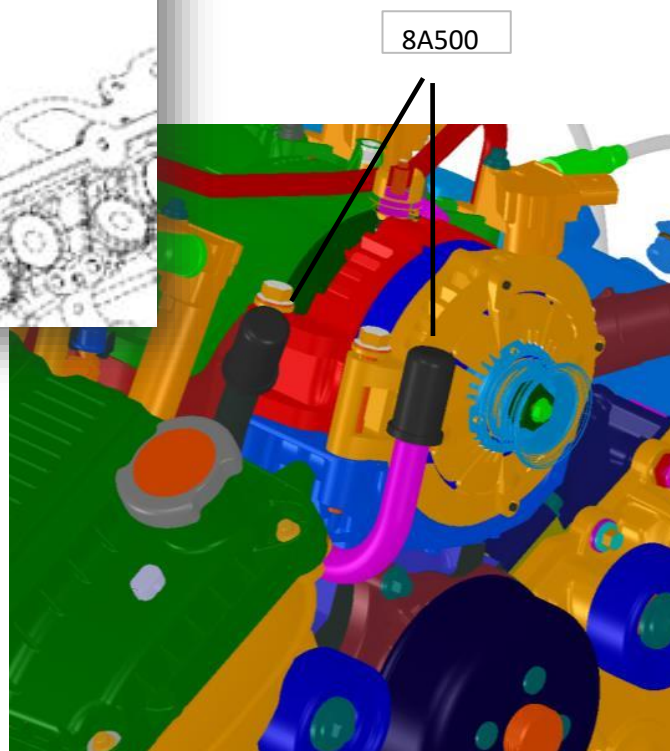
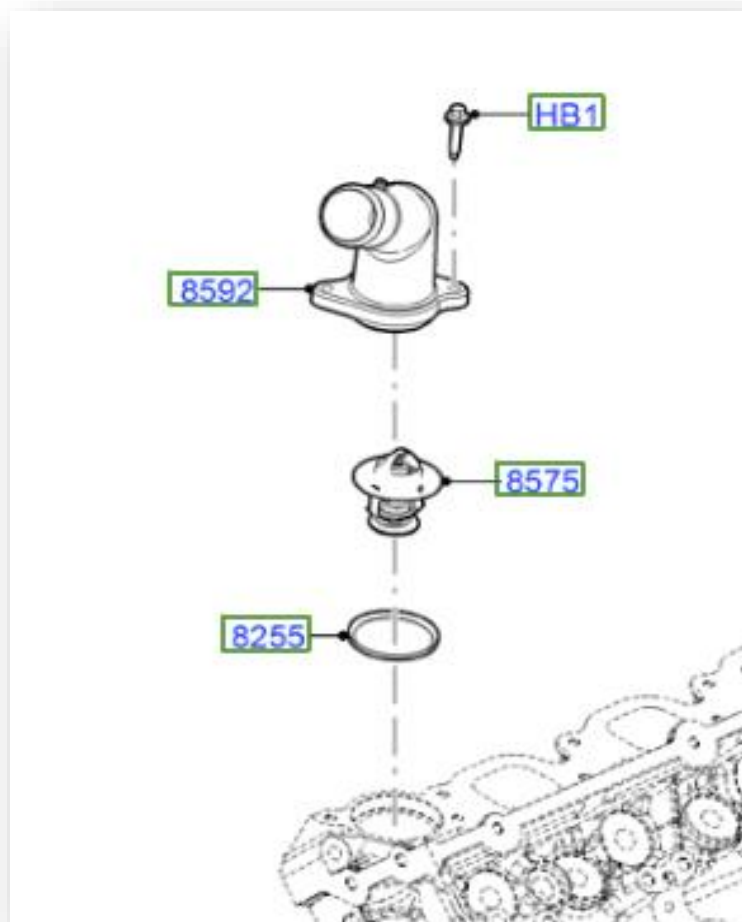
Quantity	Description	Part #
1	Main Drive Belt	1060130
1	Idler Pulley and bracket (1)	BC3Z-8678-AFC
1	Tensioner	AL3Z-6B209-B
1	Grooved Idler Pulley (2)	YW7Z-8678-AA
1	Smooth Idler Pulley (3)	AL3Z-8678-B
2	Small Pulley Bolts	N806282-S437
1	Water Pump Pulley	AC3Z-8509-BA
1	Crank Dampener	BC3Z-6312-A
1	Crank Dampener Bolt	AL3Z-6A340-A

Flywheel and Housings



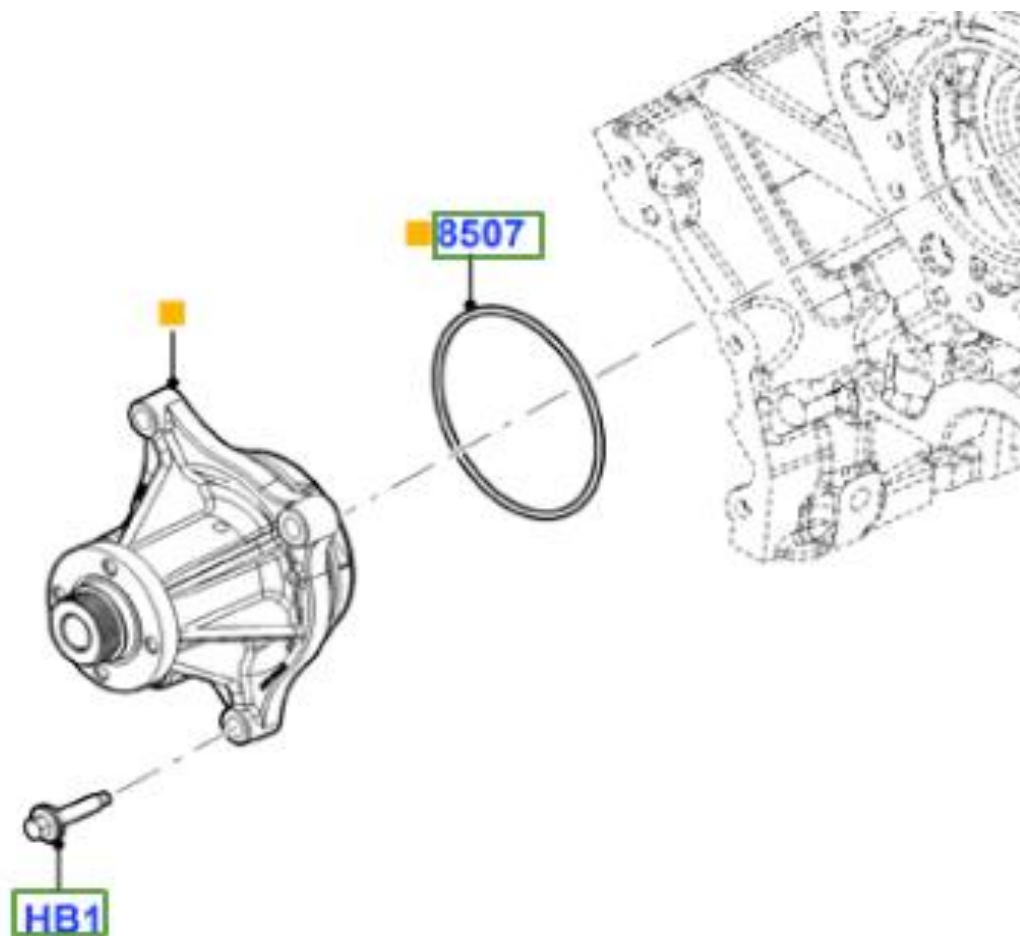
Quantity	Description	Part #
1	SAE 3 Housing	905200
1	SAE 11.5" Flywheel	905350
8	SAE 11.5" Flywheel to crank Bolts	BR3Z-6379-A
1	Inspection Cover	C5JZ-7518-A

Thermostat Assembly



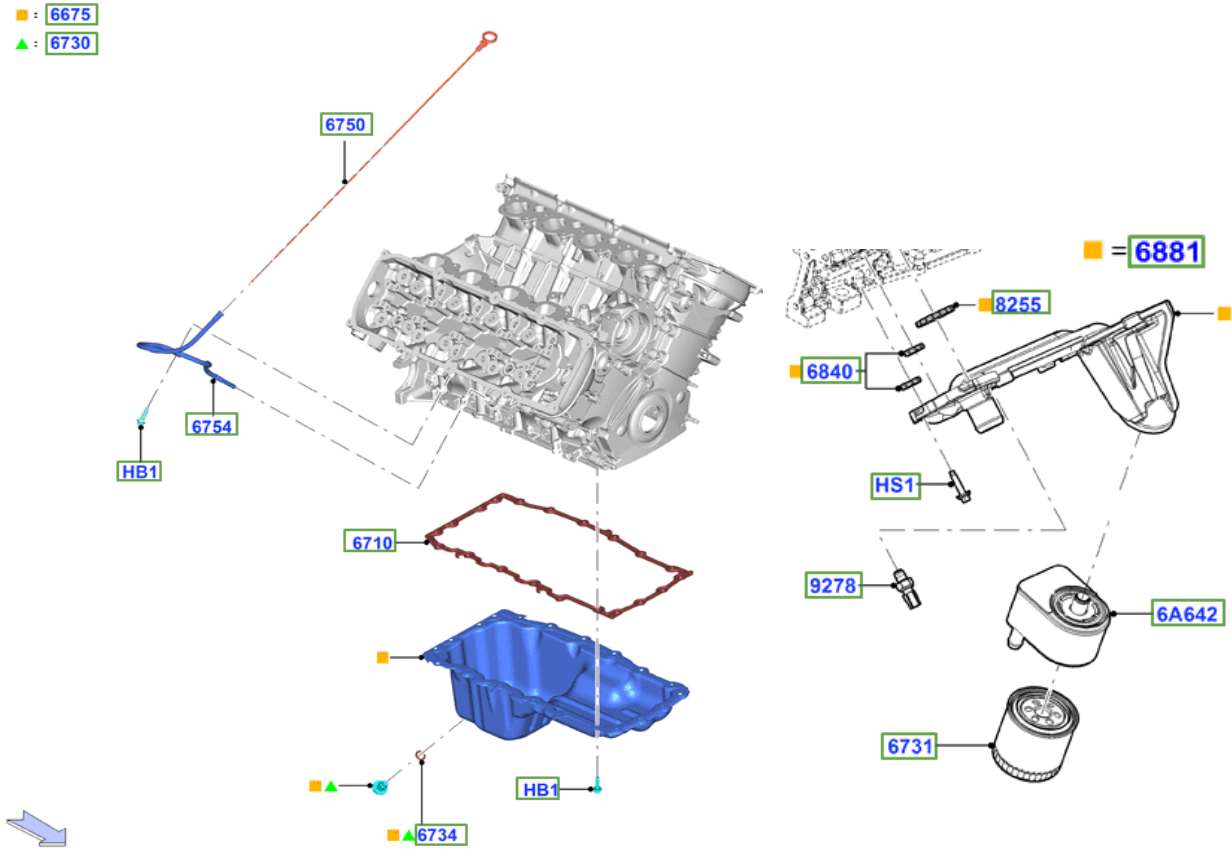
Quantity	Description	Part #
1	Thermostat housing (8592)	AL3Z-8592-A
1	Thermostat (8575)	7L3Z-8575-D
1	Thermostat Gasket (8255)	F1VY-8255-A
1	Bolt M6 x 27MM (HB1)	W503278-S437
2	Coolant Caps	F8JL-8A500-BA

Water Pump Assembly



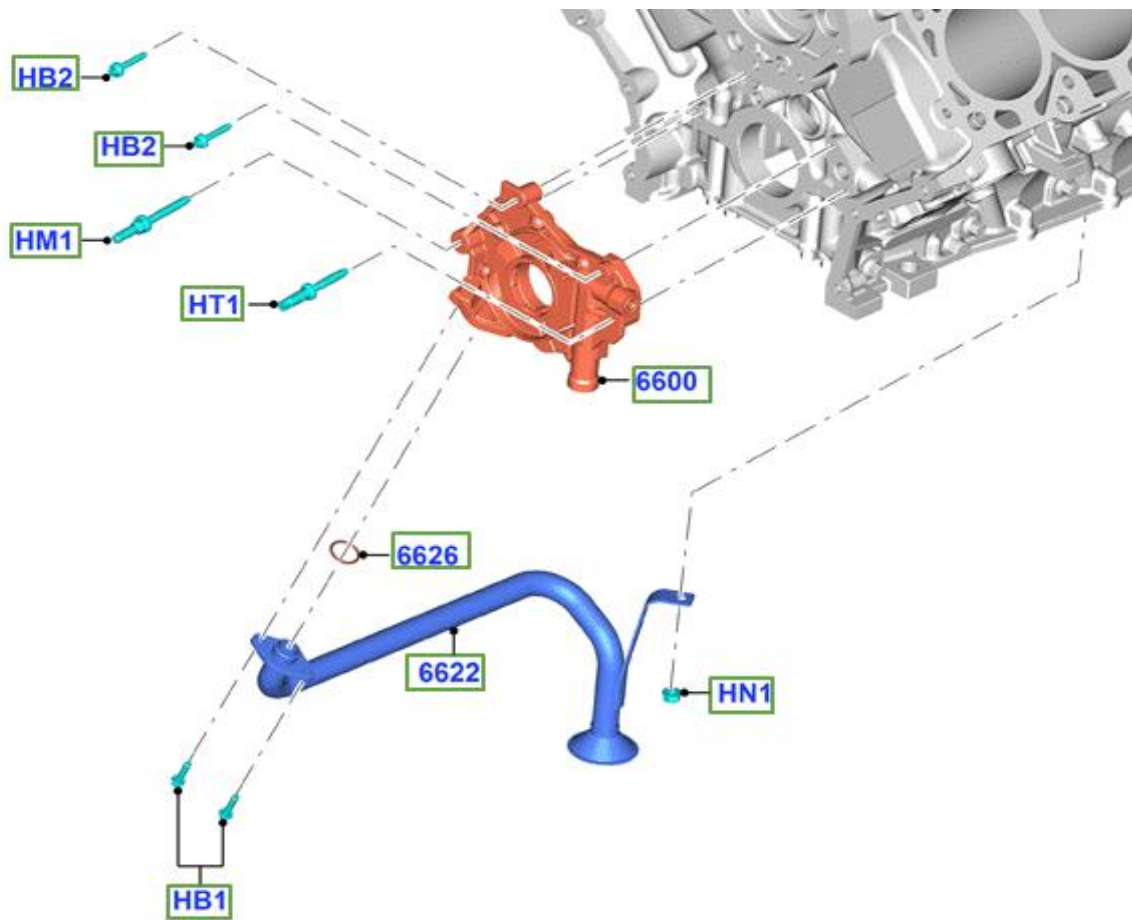
Quantity	Description	Part #
1	Water Pump Assembly (■)	AL3Z-8501-C
1	Water Pump Gasket (8507)	F1VY-8507-A
1	Bolt M8 x 40MM (HB1)	W503298-S437A

Oil Filter, Plug and Dipstick



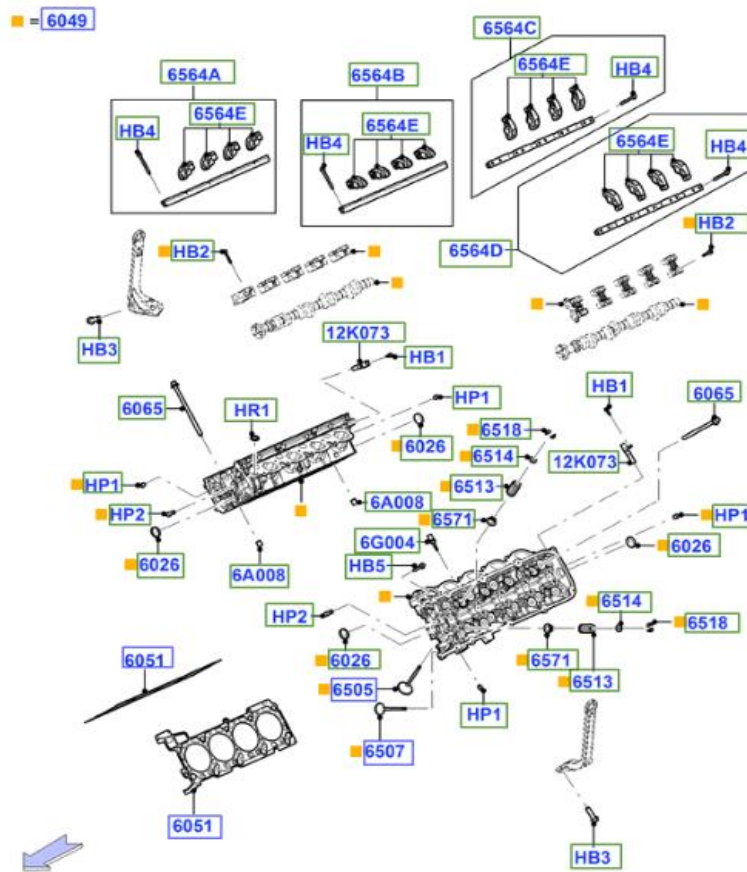
Quantity	Description	Part #	Notes
1	Oil Filter (6731)	F1AZ-6731-BD	MC #: FL-820-S
1	Oil Pan (6675)	AL3Z-6675-B	
1	Oil Pan Gasket (6710)	AL3Z-6710-A	
1	Oil Filter Housing (6881)	BC3Z-6881-A	
1	Oil drain plug (▲ 6730)	F75Z-6730-BA	
1	Gasket Drain Plug (6734)	F75Z-6734-AA	
1	Oil Switch (9278)	GC3Z-9278-A	
1	Oil indicator Standard (6750)	HC3Z-6750-A	
1	Oil Indicator Tube (6754)	HC3Z-6754-A	
1	Gasket Coolant (8255)	AL3Z-8255-A	
2	Gasket Oil Passage (6840)	AC3Z-6840-A	
1	Oil Cooler (6A642)	HC3Z-6A642-B	
AR	SCREW, M8 X 30MM (HS1)	W716939-S437	
AR	BOLT, M6 X 22MM (HB1)	W503276-S439	
***7 Quarts refill of 5W-20 to 5W-30			

Oil Pump Assembly



Quantity	Description	Part #
1	Oil Pump Assembly (6600)	AL3Z-6600-AB
1	Inlet Tube (6622)	AL3Z-6622-A
1	O-Ring (6626)	F5RZ-6626-B

Base Engine Components

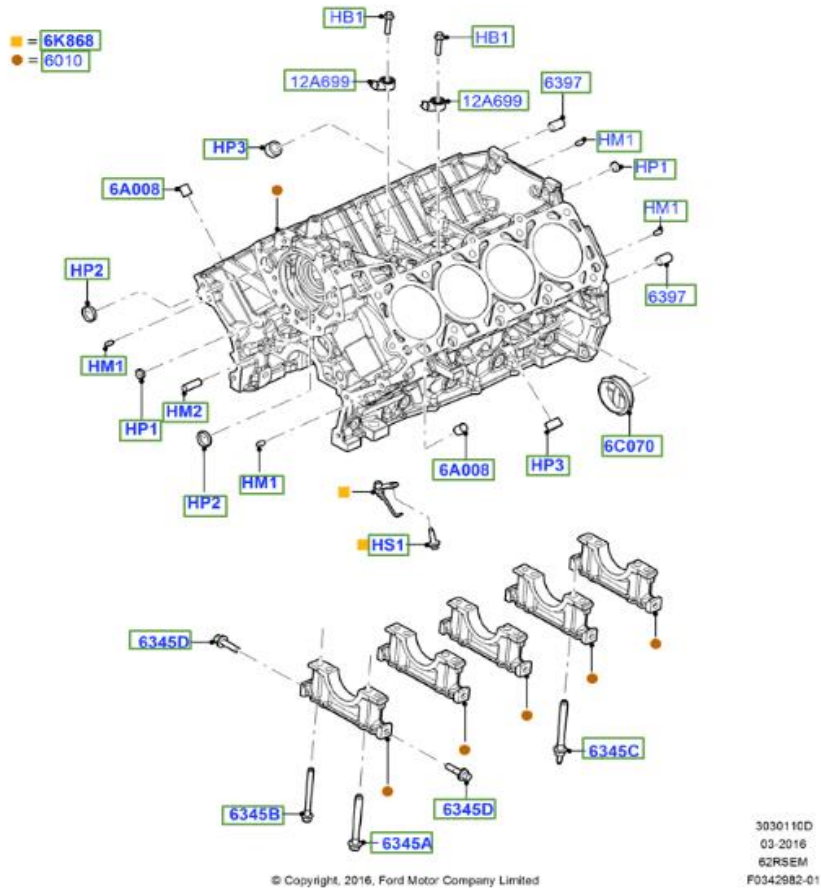


© Copyright, 2016, Ford Motor Company Limited

3030115D
03-2016
62RSEM
F0342840-01

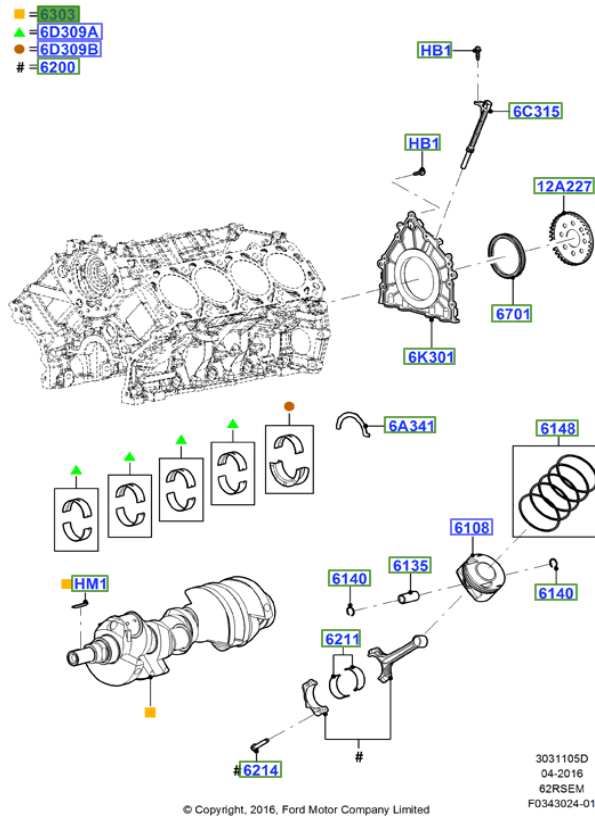
Quantity	Description	Part #	Notes
8	Exhaust Valve (6505)	BL3Z-6505-A	
8	Intake Valve (6507)	BL3Z-6507-A	
16	Valve Stem Seal (6571)	FC3Z-6571-A	
16	Valve Spring (6513)	FC3Z-6513-A	
32	Valve Spring Retainer Collet (6518)	AC3Z-6518-A	
16	Valve Spring Retainer (6514)	AL3Z-6514-A	Sold as packs of 16
20	Cylinder Head Bolt (6065)	AL3Z-6065-C	
1	R.H. Cylinder Head Gasket (6051)	AL3Z-6051-A	
1	L.H. Cylinder Head Gasket (6051)	AL3Z-6051-B	
16	Individual Valve Rocker (6564E)	AL3Z-6564-AA	
1	R.H. Intake Rocker Arm and Rocker Assembly	AL3Z-6564-EB	Pictured as 6564A
1	R.H. Exhaust Rocker Arm and Rocker Assembly	AL3Z-6564-DB	Pictured as 6564B
1	L.H. Intake Rocker Arm and Rocker Assembly	AL3Z-6564-BB	Pictured as 6564C
1	L.H. Exhaust Rocker Arm and Rocker Assembly	AL3Z-6564-AA	Pictured as 6564D

Base Engine Components 2



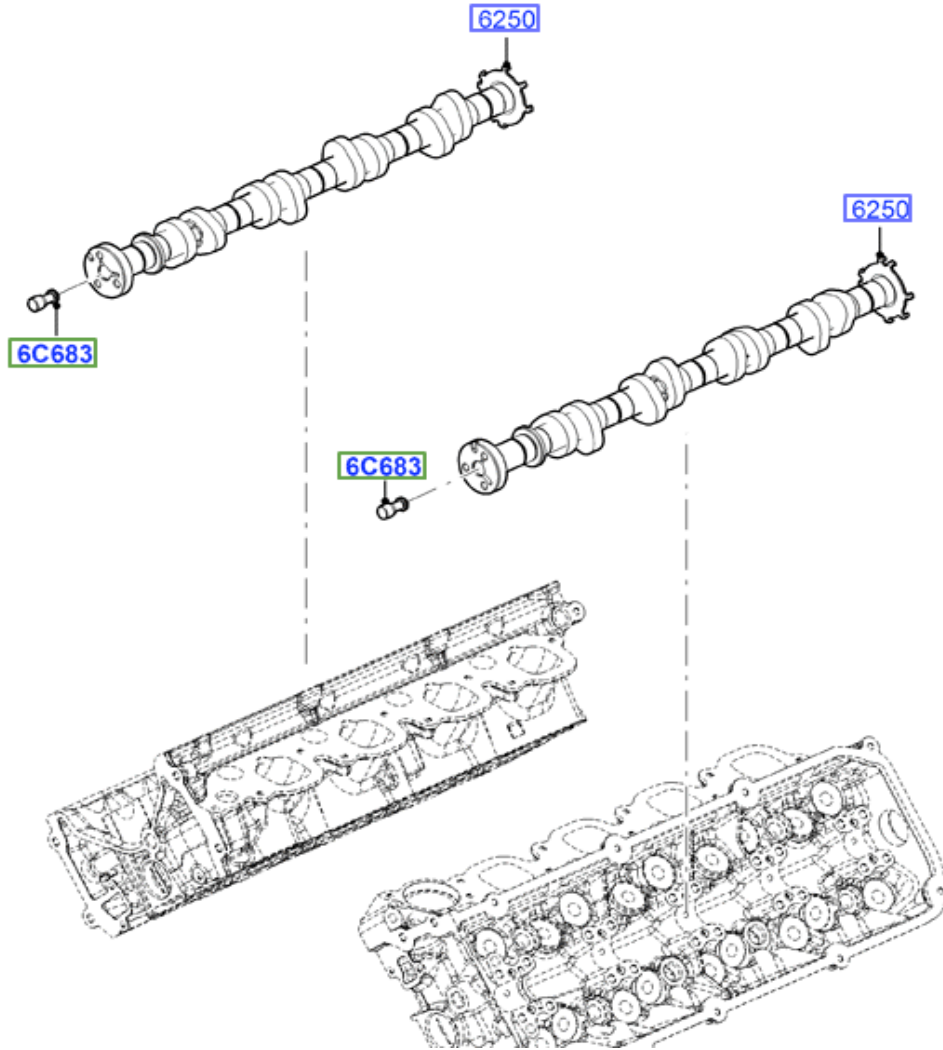
Quantity	Description	Part #	Notes
4	Hollow Sleeve Guide; M16 X 19MM (6A008)	F8AZ-6A008-AA	
1	Cylinder Block (6010)	AL3Z-6010-C	
1	Cover Plug (6C070)	F65Z-6C070-AB	
9	Bearing End Cap Inner Bolts (6345A)	AC3Z-6345-A	
10	Bearing End Cap Outer Bolts (6345B)	AL3Z-6345-B	
1	Bearing End Cap Inner Stud (6345C)	AC3Z-6345-B	
10	Bearing End Cap Side Bolt (6345D)	AL3Z-6345-A	
2	Hollow 16MM Dowel (6397)	F2AZ-6397-A	
4	Piston Cooling Nozzle (6K868)	AL3Z-6K868-B	
2	Knock Sensor (12A699)	AL3Z-12A699-BA	
2	Knock Snesor Bolt (HB1)	W500110-S437	
4	Dowel Pin; 8MM X 18.25MM (HM1)	W701228-S300	
1	Dowel Pin (HM2)	W713656-S300	
A/R	18MM Plug (HP1)	3L3Z-6026-AA	
A/R	3/4" Plug (HP3)	W528114-S446	
A/R	Screw; M8 X 27MM (HS1)	W503295-S437	

Base Engine Components 3



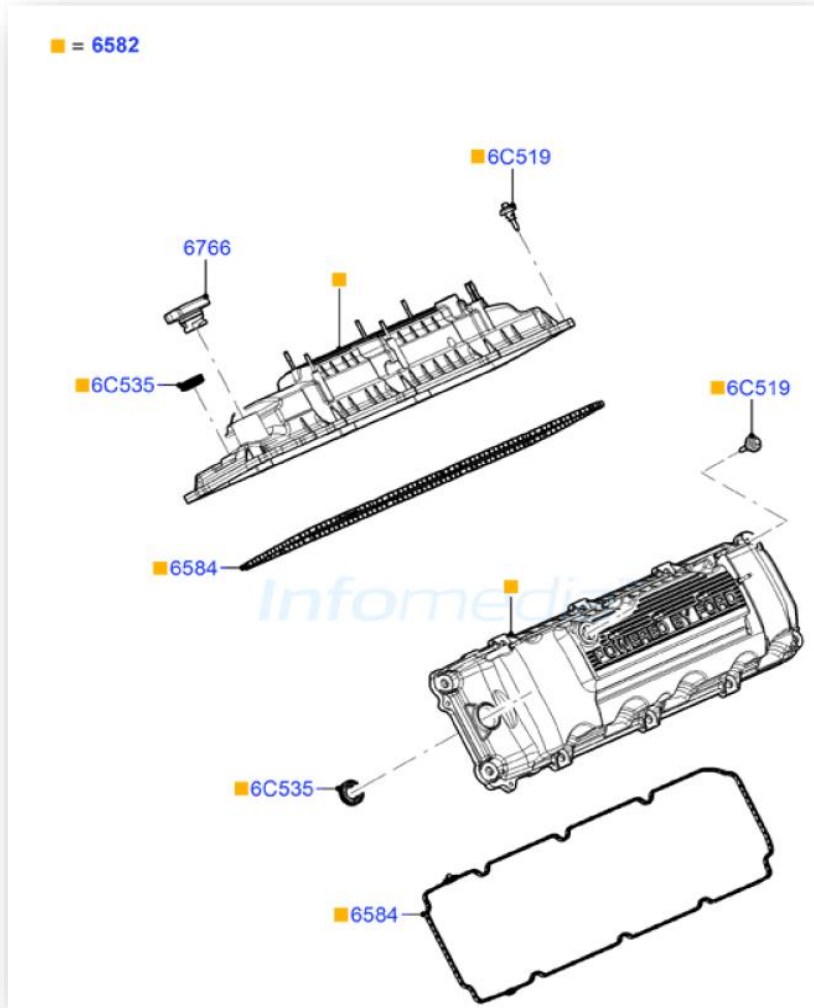
Quantity	Description	Part #	Notes
A/R	Standard Grade 1 Piston (6108)	AL3Z-6108-J	Wrist pin and retainer Sold Separate
A/R	Standard Grade 2 Piston (6108)	AL3Z-6108-K	
A/R	Standard Grade 3 Piston (6108)	AL3Z-6108-L	
8	Wrist Pin (6125)	AL3Z-635-A	
A/R	Wrist Pin Retainer (6140)	AL3Z-6140-A	Sold as packs of 2
A/R	Piston Ring Kit (6148)	AU7Z-6148-G	
8	Connecting Rod Assembly (6200; #)	AL3Z-6200-C	
A/R	Connecting Rod Bearing (6211)	AL3Z-6211-A	Sold as packs of 2
A/R	Connecting Rod Bolts; M9 x 1 x 44mm (6214)	BR3Z-6214-B	Sold as packs of 2
1	Rear Main Seal Retainer (6K301)	AL3Z-6K301-A	Plate that holds rear main seal
1	Crankshaft Assembly (6303;)	AL3Z-6303-A	
A/R	Standard Grade 1 Crankshaft Bearing (6D309A)	AU7Z-6D309-AA	Contains 1 Upper and 1 Lower
A/R	Standard Grade 2 Crankshaft Bearing (6D309A)	AU7Z-6D309-BA	
A/R	Standard Grade 3 Crankshaft Bearing (6D309A)	AU7Z-6D309-CB	
1	Standard Grade 1 Crank. Thrust Bearing (6D309B)	AU7Z-6D309-DB	
1	Standard Grade 2 Crank. Thrust Bearing (6D309B)	AU7Z-6D309-EB	
1	Standard Grade 3 Crank. Thrust Bearing (6D309B)	AU7Z-6D309-FB	
1	Reluctor Wheel (12A227) Serial # <=PNR00209	AL3Z-12A227-A	
1	Reluctor Wheel (12A227) Serial # >=PNR00210	LC3Z-12A227-C	
1	Crank Sensor (6C315) Serial # <=PNR00209	AL3Z-6C315-A	
1	Crank Sensor (6C315) Serial # >=PNR00210	LC3Z-6C315-A	

Camshaft



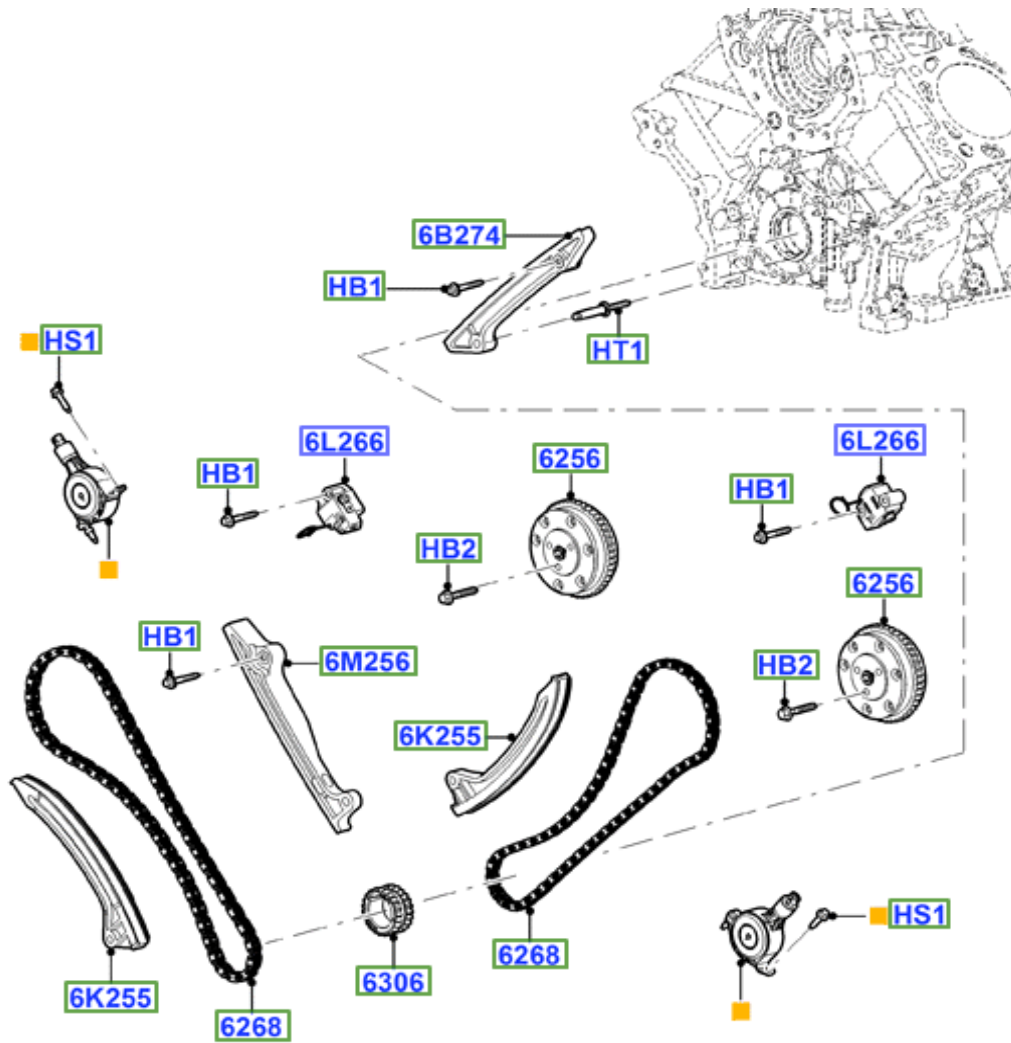
Quantity	Description	Part #
1	R.H. Camshaft (6250) Serial # <= PNR00209	HC3Z-6250-A
1	R.H. Camshaft (6250) Serial # >=PNR00210	LC3Z-6250-B
1	L.H. Camshaft (6250) Serial # <= PNR00209	HC3Z-6250-B
1	L.H. Camshaft (6250) Serial # >=PNR00210	LC3Z-6250-C
2	Camshaft Seal (6C683)	9L8Z-6C683-A


Camshaft Covers (Valve Covers)



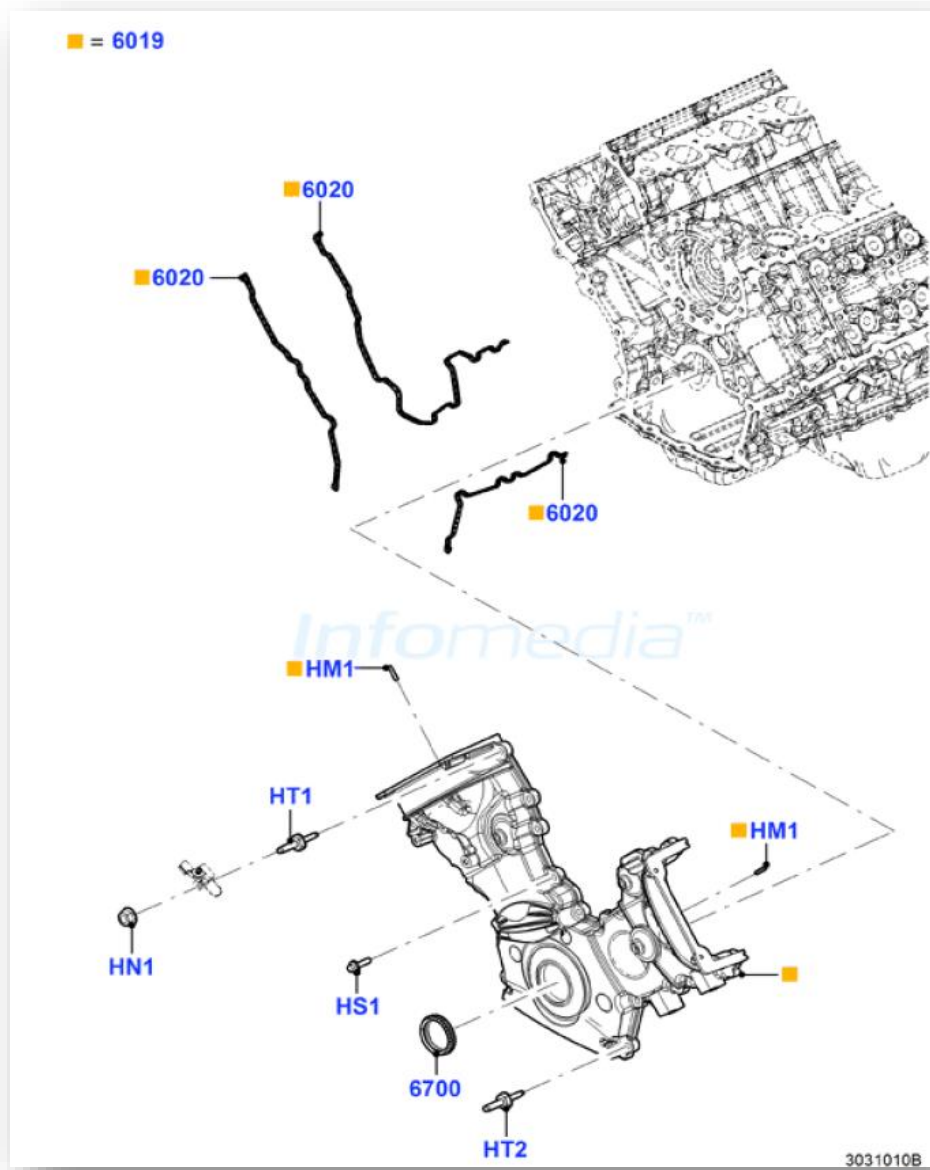
Quantity	Description	Part #
AR	Grommet, 2 per package	AL3Z-6C519-B
AR	Grommet	CC3Z-6C519-A
2	Seal - Valve, RH/LH, VCT Seal	7L1Z-6C535-AA
AR	Seal - Valve	BR3Z-6C535-A
1	Camshaft - Cover, RH	CC3Z-6582-A
1	Camshaft - Cover, LH	CC3Z-6582-B
1	Gasket, LH	CC3Z-6584-AA
1	Gasket, RH	CC3Z-6584-BA
1	Cap Assembly, Oil Filler	EL3Z-6766-A
1	Valve Cover Breather Connector (90°)	7T4E-9E499-EA

Timing



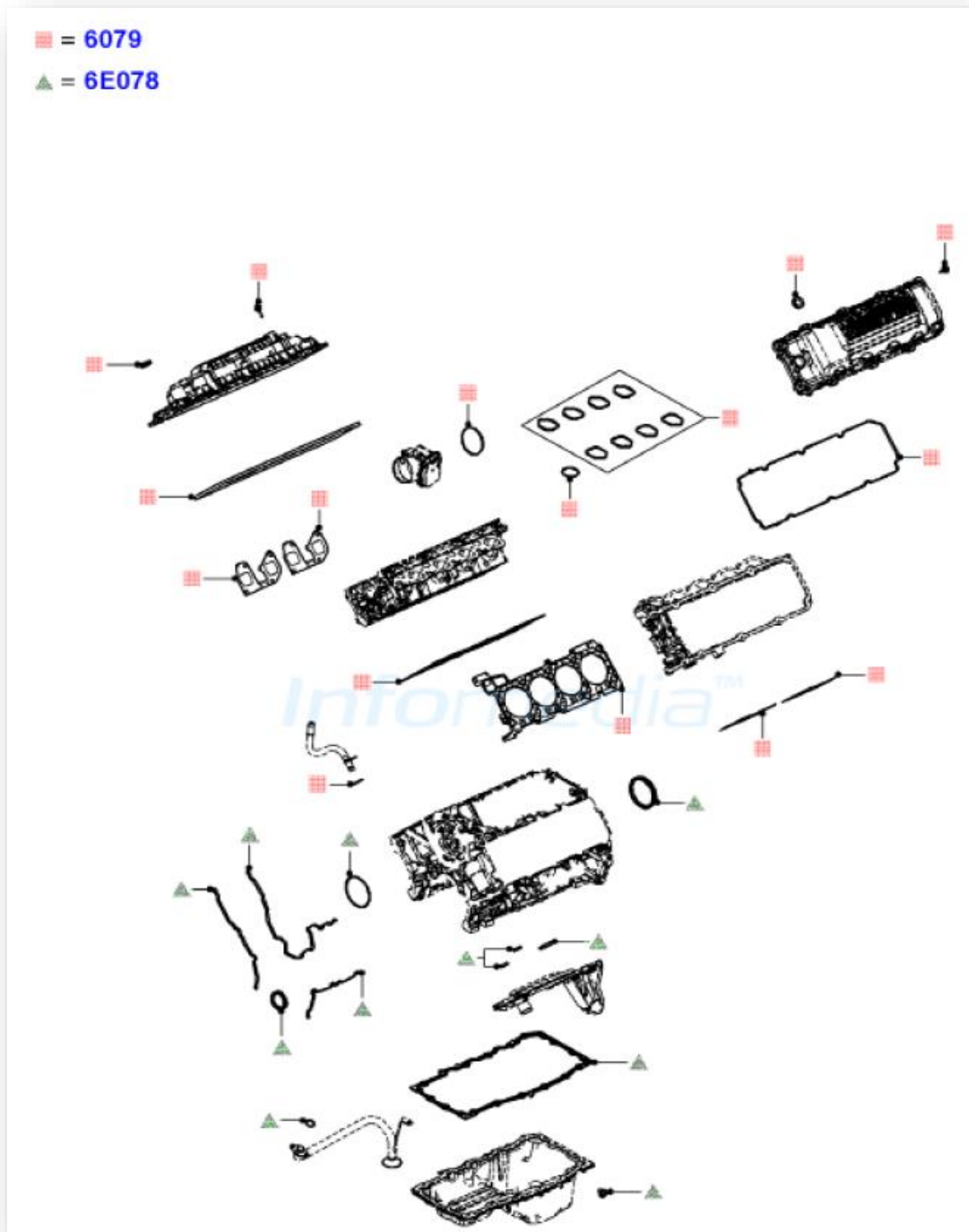
Quantity	Description	Part #
2	Timing Chain Tensioner Arm (6K255)	AL3Z-6K255-B
2	Camshaft Sprocket (6256)	AL3Z-6356-CA
1	R.H. Guide Assembly (6M256)	AL3Z-6M256-A
1	R.H. Timing Chain Tensioner (6L266)	AL3Z-6L266-A
1	L.H. Timing Chain Tensioner (6L266)	AL3Z-6L266-B
2	Timing Chain (6268)	AL3Z-6268-A
1	Timing Belt Guide (6B274)	AL3Z-6B274-A
2	Variable Valve Timing Solenoid (6M280; )	BR3Z-6M280-D
1	Crankshaft Gear (6306)	AL3Z-6306-B
A/R	Bolt; M6 X 40MM (HB1)	W503281-S300
A/R	Bolt; M7 X 40MM (HB2)	W712998-S300
A/R	Screw; M6 X 22MM (HS1)	W700005-S437
A/R	Stud/Guide Pin (HT1)	W713655-S300

Timing Gear Covers

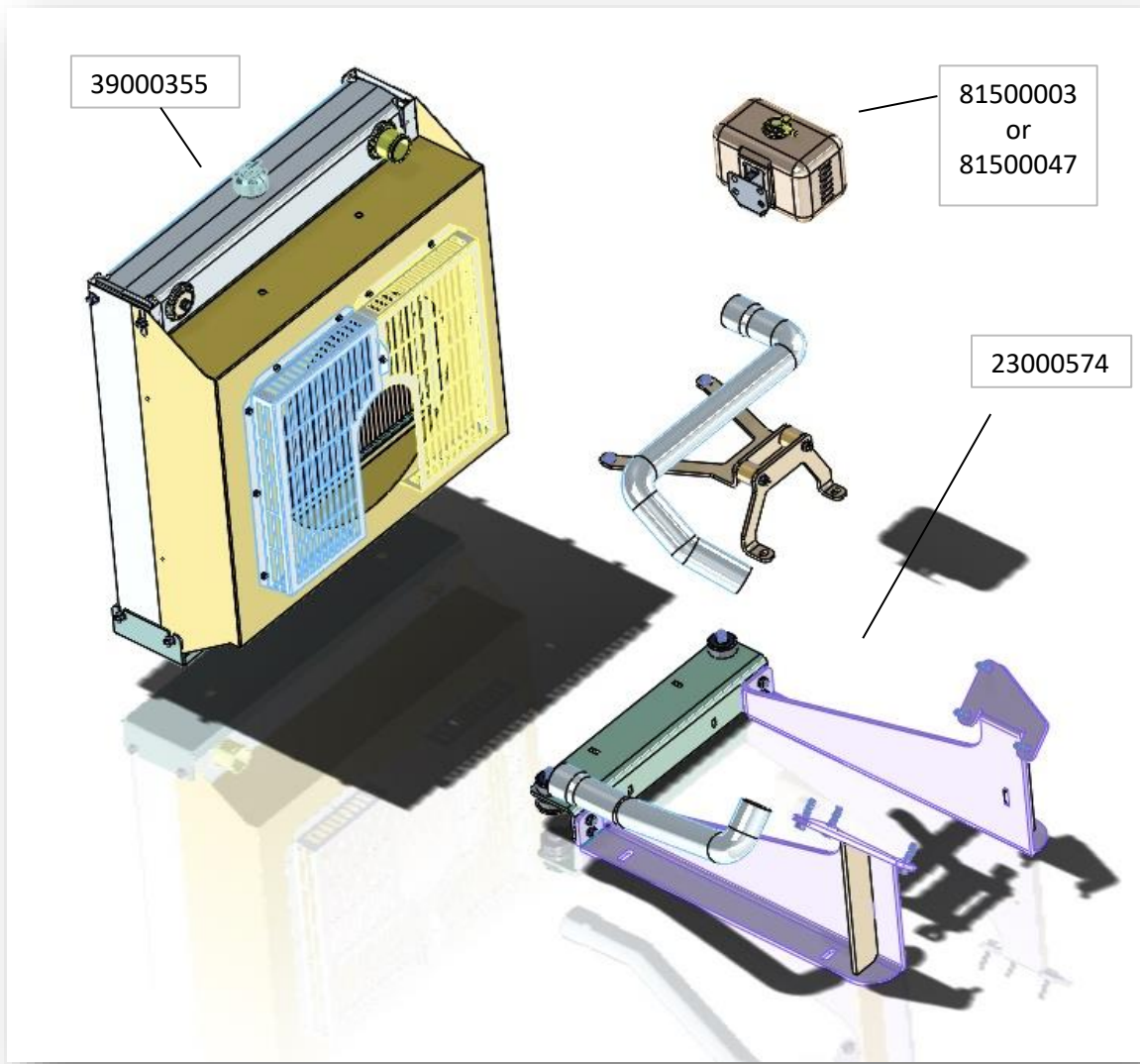


Quantity	Description	Part #
1	Cover	AL3Z-6019-A
1	Gasket, Center	AL3Z-6020-A
1	Gasket, RH	AL3Z-6020-B
1	Gasket, LH	AL3Z-6020-D
1	Crankshaft seal, front	XW4Z-6700-B
AR	Dowel - Pin (HM1)	W525524-S430
AR	Nut, M8 x 1.25 (HN1)	N804758-S437
AR	Screw, M8 x 33mm (HS1)	W713261-S437
AR	Stud, M8 x 33 + M8 x 27 (HT1)	W713461-S437
AR	Stud M8 (HT2)	W713462-S437

Gasket Kits



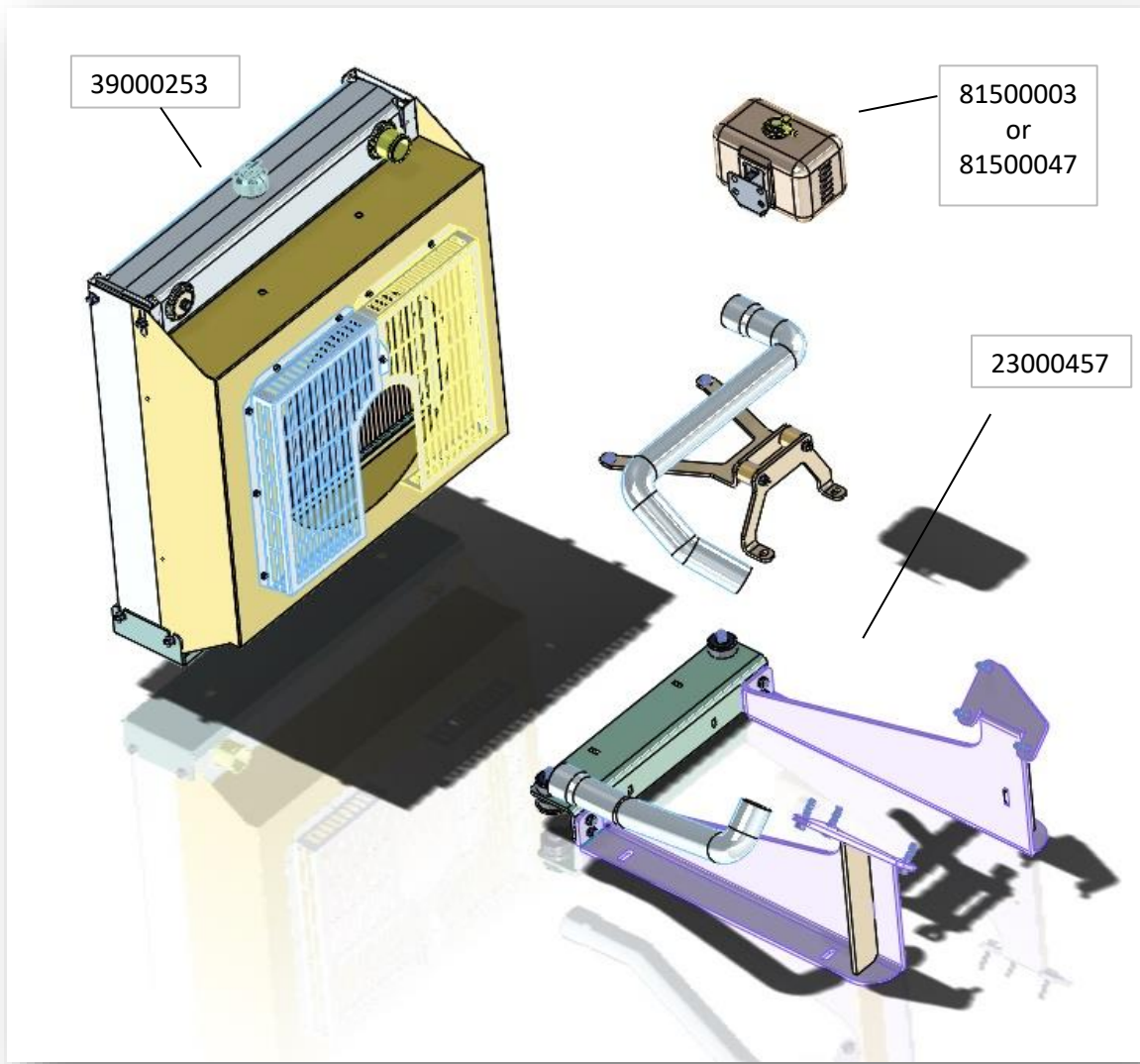
Quantity	Description	Part #
1	Gasket Kit	AU7Z-6E078-B
1	Gasket Kit	BC3Z-6079-C



19" Fan Shroud Radiator

From August 2020 On

Quantity	Description	Part #	Notes
1	Radiator - 19" Fan	39000355	
1	Bracket Kit for 39000355	23000574	
1	Overflow Bottle (pop top)	81500003	
1	Overflow Bottle (screw top)	81500047	
1	19" Pusher Fan	9000010	
1	19" Suction Fan	9000030	
1	Fan Spacer - Pusher (3.83")	133220	
1	Fan Spacer - Suction (4.7")	133830	



18" Fan Shroud Radiator

Discontinued August 2020

Quantity	Description	Part #	Notes
1	Radiator, shroud, finger guard	39000253	
1	Radiator and Bracket Hose Kit	23000457	
1	Overflow Bottle (pop top)	81500003	
1	Overflow Bottle (screw top)	81500047	
1	Pusher Fan	9000020	
1	Suction Fan	9070030	
1	Fan Spacer	S300051	



Quantity	Description	Part #
1	Serial # Label	1060210
1	Emission Label	1070170
1	Operator Manual	1070150
1	Emission Install Instructions	1070160
1	Body Side Harness Install Instructions	1070180
1	Parts Manual	1070190
1	Service Manual	1070200
1	Spec Sheet	1070140