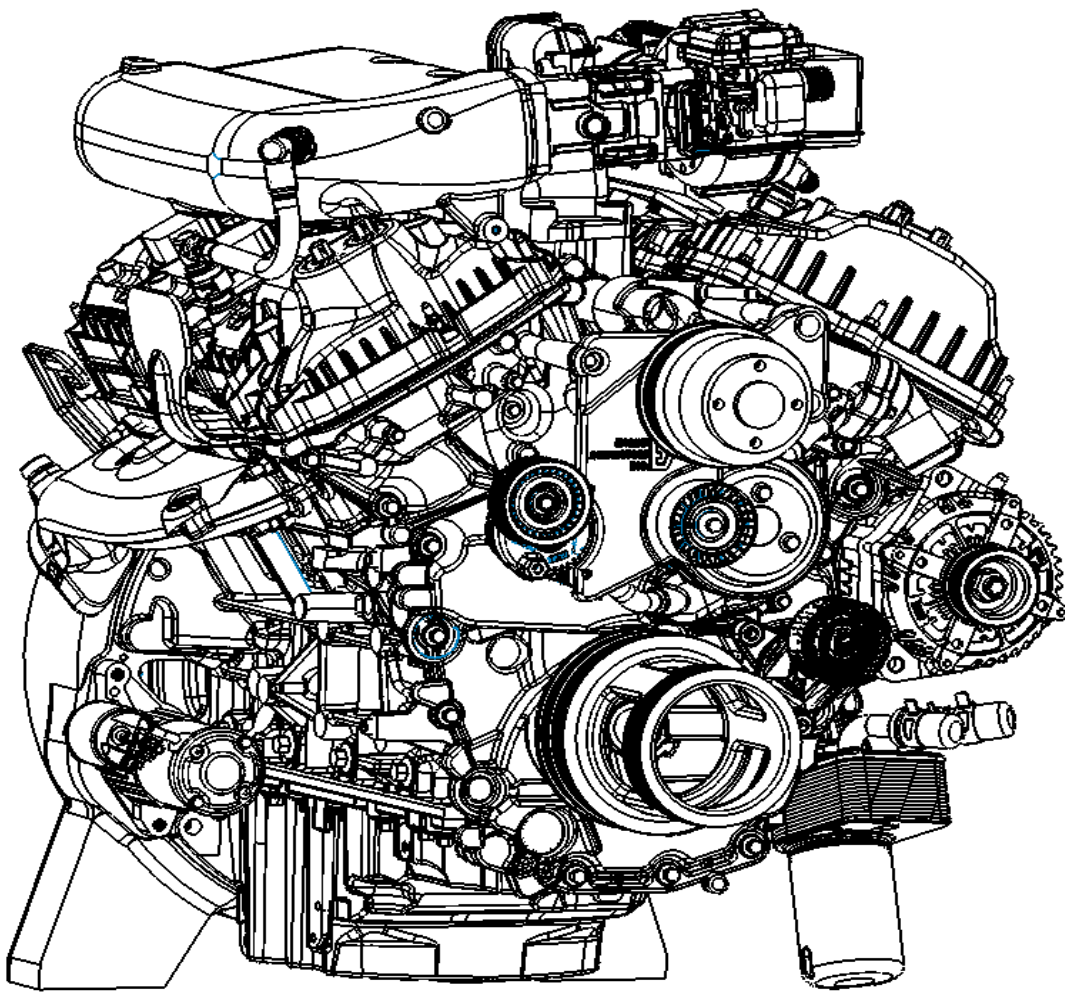




LSG635 Service Parts Manual



Part#: 1010240

Rev 1

5/17/2022

General Information

This catalog has been prepared to assist you, the owner, in identifying the correct replacement

Parts Information

Each listing contains base part number, part description and the quantity required to assist in indentifying and ordering the correct part.

NOTE: The descriptions and specifications contained in this manual were in effect at the time the book was released for printing. Engine Distributors, Inc. (EDI) reserves the right to discontinue models at any time, or change specifications or design, without notice and without

Reproduction in any manner, in whole or in part, is prohibited without the express permission in writing from Engine Distributors, Inc.

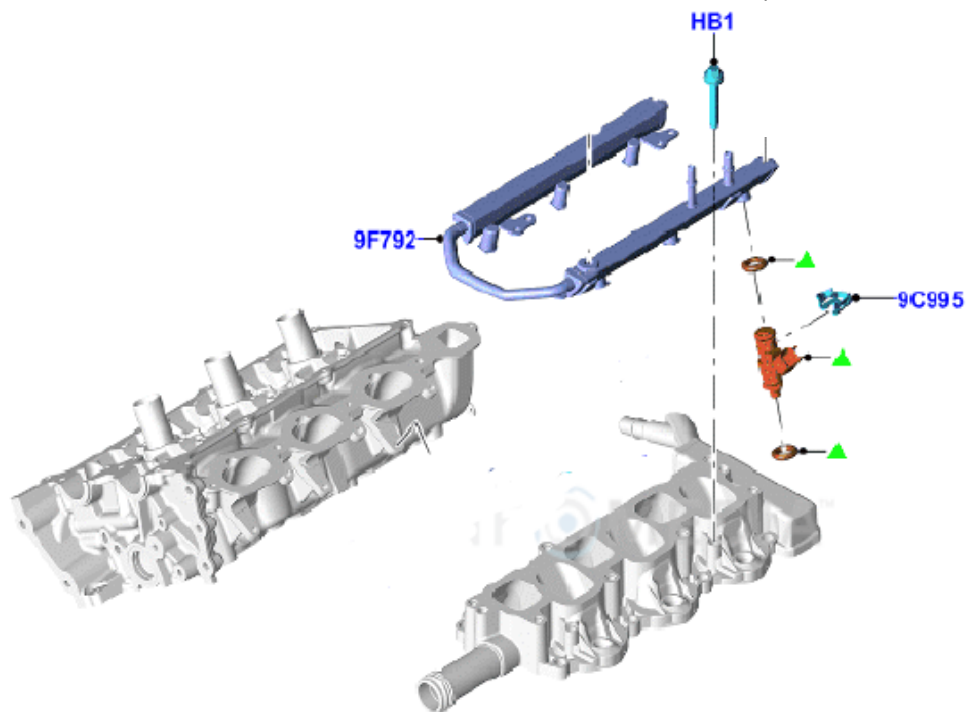


Engine Distributors Inc
400 University Ct.
Blackwood, NJ 08012
800-220-2700

INDEX

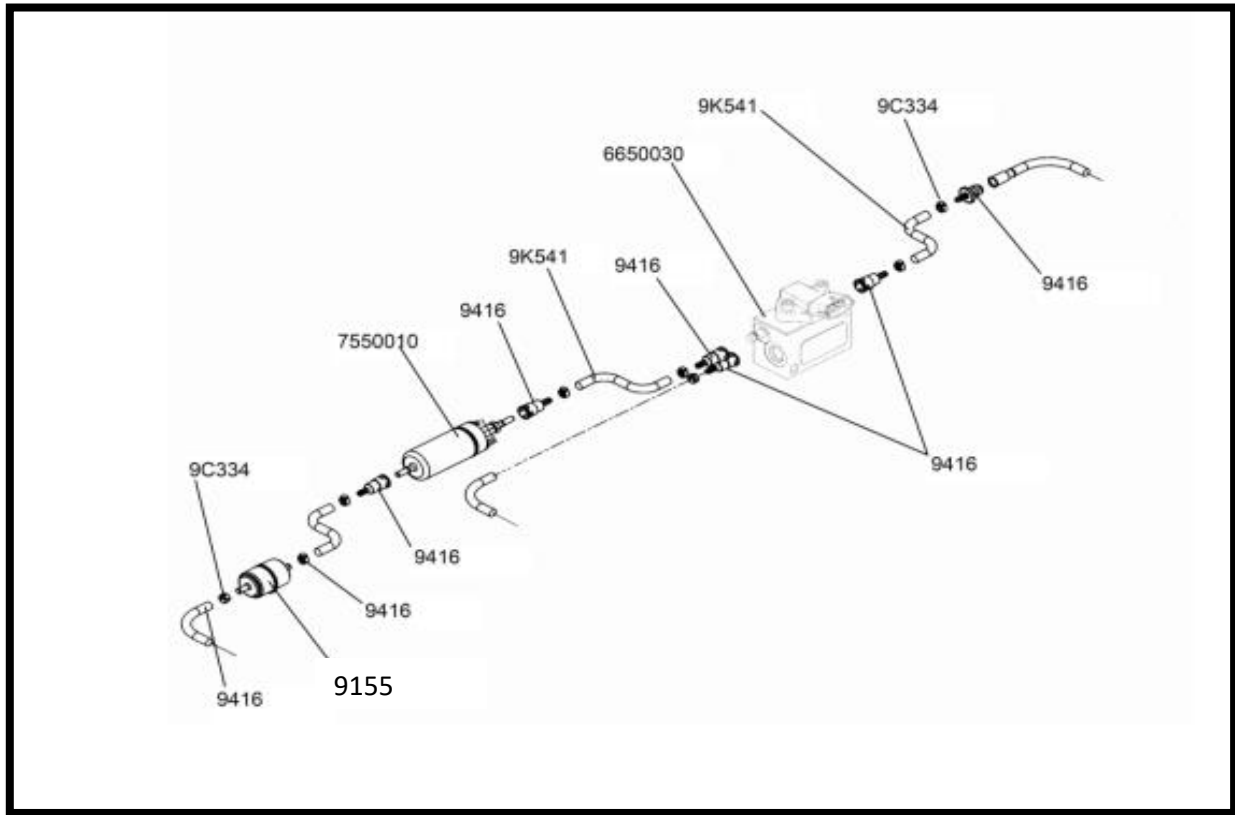
LSG635 Service Parts	Section	PAGE
Fuel System Fuel Rail and Injectors, Fuel Pump, LPG and NG Mixers/Pressure Regulators, Lockoff Valves	1	3
Electrical System Starter, Alternator, Relays, and Wiring Harnesses	2	9
Exhaust Catalyst Muffler, Manifold, Y Pipe	3	12
Intake Manifold, Bosch Governor, Throttle Adapter	4	14
FEAD Tensioner and Pulleys	5	17
Flywheel and Housings SAE Flywheel and Housing, Ring Gear, Starter Plate	6	18
Cooling System Thermostat, Water Pump, Coolant Outlet, Cooling Fans, Radiator Kit	7	19
Oil System Filter, Oil Pan, Pickup, switch, Pump and Chain	8	23
Base Engine Sensors, Camshafts, Valve Cover, Crankshaft and Bearings, Cylinder Head, Crankcase Ventilation, Pistions, Timing Chain and Gears, Front Cover	9	26
Miscellaneous Hydraulic Pumps, Sheet metal	10	41
Manual & Labels	11	43

Gasoline Fuel Rail and Injectors



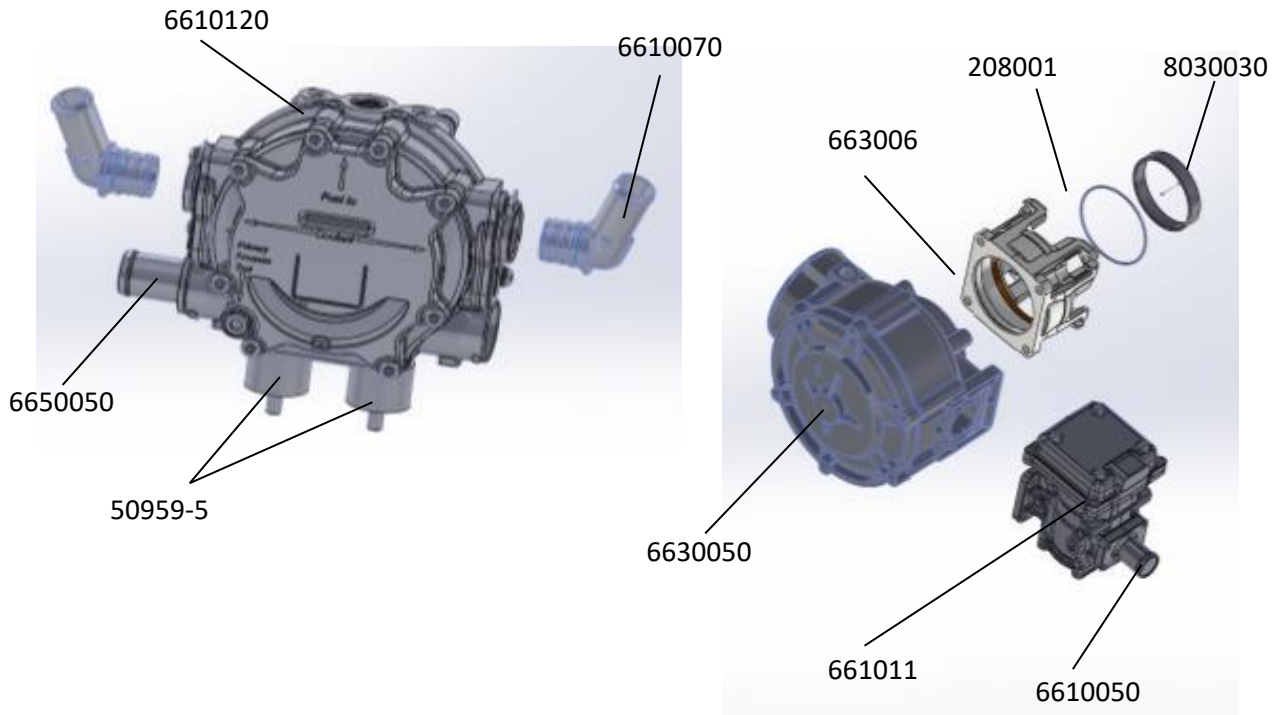
Quantity	Description	Part #
6	Fuel Injector Assembly	JL3Z-9F593-A
1	Fuel Rail	JL3Z-9F792-B
4	Fuel Rail Bolts	W716088-S450
6	Retainer, Fuel Injector	4F2Z-9C995-AA
4	Screw, M6x38 (HB1)	W716115-S900

Gasoline Fuel Pump, Block, and Lines



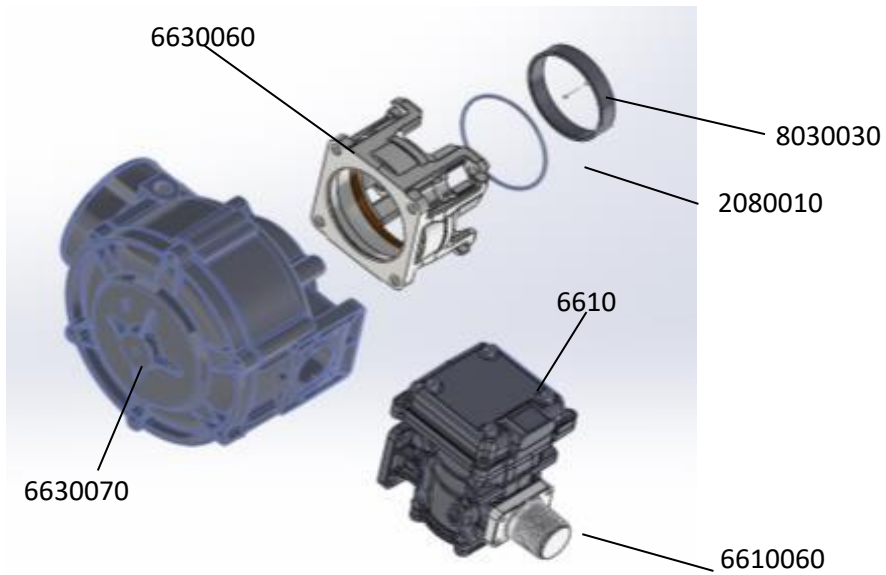
Quantity	Description	Part #
1	Gasoline Fuel Pump	7550010
1	Gasoline Fuel Block	6650030
2	Fuel Block Fitting - SAE 6	2050040
1	Fuel Block Fitting - SAE 3	2050050
1	Fuel Pump Fitting - M10	2050030
1	Fuel Pump Fitting Washer	1118659
1	Fuel Filter	F89Z-9155-A
1	Fuel Pump Mounting Clamp	6660020
8	Fuel Line Clamps	F8JL-9C334-AA
8	Fuel Clips (Quick Disconnects)	6630040
1	Fuel Clip (Quick Disconnect) Fuel Rail Only	N806188S190
NA	Fuel Line	6590010

LPG Fuel System; Mixer, DEPR, Vapor Regulator



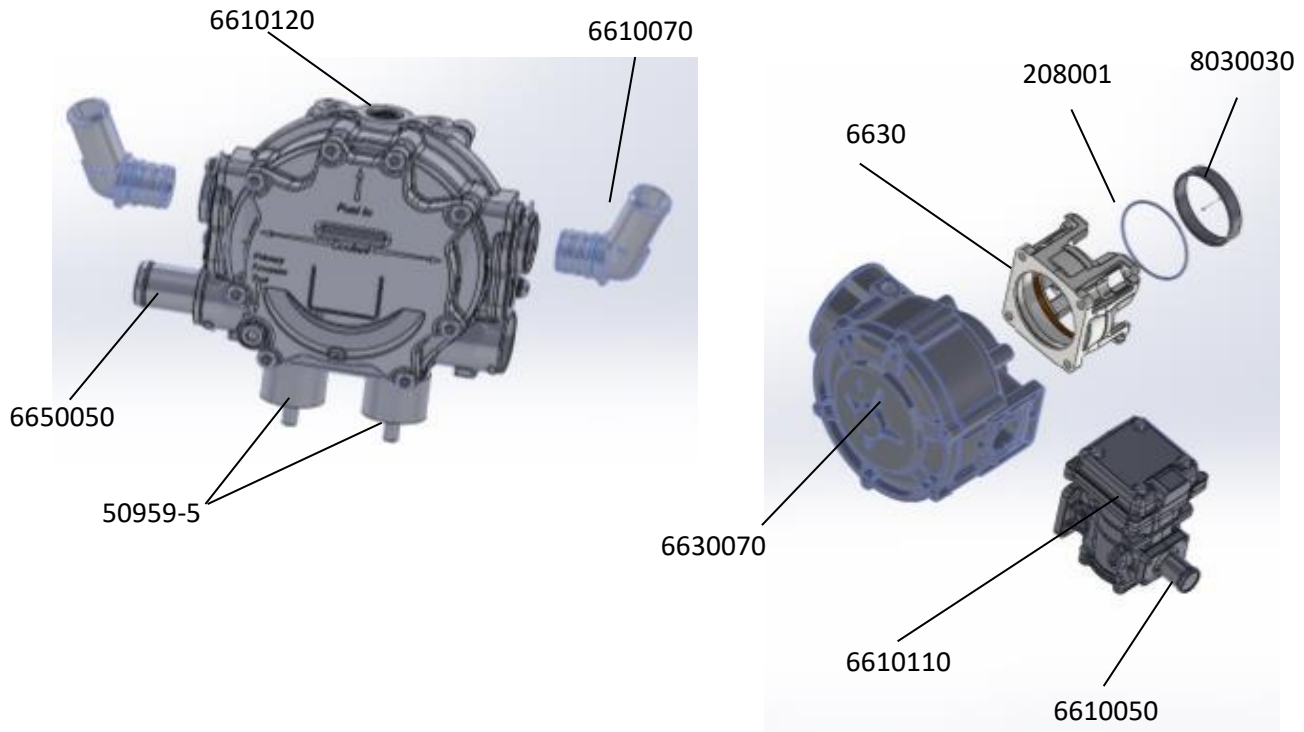
Quantity	Description	Part #
1	LPG Mixer	6630050
1	Mixer to Governor Adapter	6630060
1	Mixer to Governor Adapter Thin O-ring	2080010
1	Mixer to Governor Adapter Thick O-ring	8030030
1	LPG Vapor Regulator	6610120
1	Direct Electronic Pressure Regulator (DEPR)	6610110
1	DEPR LPG Fitting (pictured)	6610050
2	LPG Vapor Regulator Rubber Isolators	50959-5
2	LPG Vapor Regulator Coolant Fitting (straight)	6610080
2	LPG Vapor Regulator Coolant Fitting (70 degree)	6610070
1	LPG Vapor Regulator Fuel Outlet Fitting	6650050
NA	LP Vapor Hose	VH34
1	Mixer Diaphragm Replacement Kit	6610040
2	Vapor Regulator Heater Hose	F8JL18472AA
1	Vapor Regulator Mount	4010220
4	Mixer Adapter to Mixer Bolts, M6x1.0x25MM	NA
4	DEPR to Mixer Bolts, M5x0.8x12.5MM,	NA
4	DEPR Fitting to DEPR Bolts, M4x.70x12MM	NA
4	Throttle to Adapter Bolts (mixer), M6x1.0x65MM	NA
3	Vapor Regulator Locking Pins	1060230

NG Fuel System



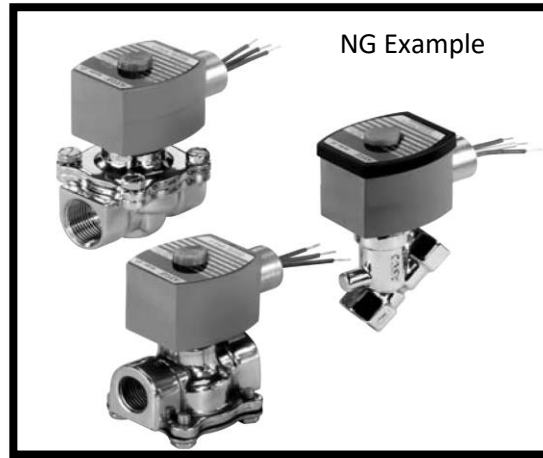
Quantity	Description	Part #
1	NG Mixer	6630070
1	Mixer to Governor Adapter	6630060
1	Mixer to Governor Adapter Thin O-ring	2080010
1	Mixer to Governor Adapter Thick O-ring	8030030
1	Direct Electronic Pressure Regulator (DEPR)	6610110
1	DEPR NG Fitting (threaded)	6610060
1	DEPR NG Fitting 90 Deg (threaded)	6620020
1	Mixer Diaphragm Replacement Kit	6610040
4	Mixer Adapter to Mixer Bolts, M6x1.0x25MM	NA
4	DEPR to Mixer Bolts, M5x0.8x12.5MM,	NA
4	DEPR Fitting to DEPR Bolts, M4x.70x12MM	NA
4	Throttle to Adapter Bolts (mixer), M6x1.0x65MM	NA

CNG Fuel System; Mixer, DEPR, Vapor Regulator



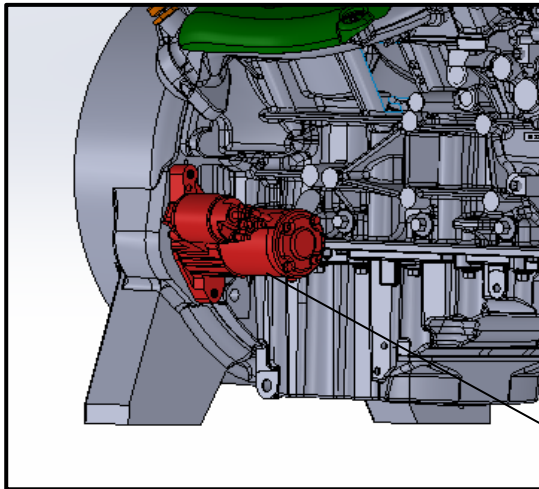
Quantity	Description	Part #
1	NG Mixer	6630070
1	Mixer to Governor Adapter	6630060
1	Mixer to Governor Adapter Thin O-ring	2080010
1	Mixer to Governor Adapter Thick O-ring	8030030
1	LPG Vapor Regulator	6610120
1	Direct Electronic Pressure Regulator (DEPR)	6610110
1	DEPR LPG Fitting (pictured)	6610050
2	LPG Vapor Regulator Rubber Isolators	50959-5
2	LPG Vapor Regulator Coolant Fitting (straight)	6610080
2	LPG Vapor Regulator Coolant Fitting (70 degree)	6610070
1	LPG Vapor Regulator Fuel Outlet Fitting	6650050
NA	LP Vapor Hose	VH34
1	Mixer Diaphragm Replacement Kit	6610040
2	Vapor Regulator Heater Hose	F8JL18472AA
1	Vapor Regulator Mount	4010220
4	Mixer Adapter to Mixer Bolts, M6x1.0x25MM	NA
4	DEPR to Mixer Bolts, M5x0.8x12.5MM,	NA
4	DEPR Fitting to DEPR Bolts, M4x.70x12MM	NA
4	Throttle to Adapter Bolts (mixer), M6x1.0x65MM	NA
3	Vapor Regulator Locking Pins	1060230

Lockoff Valves

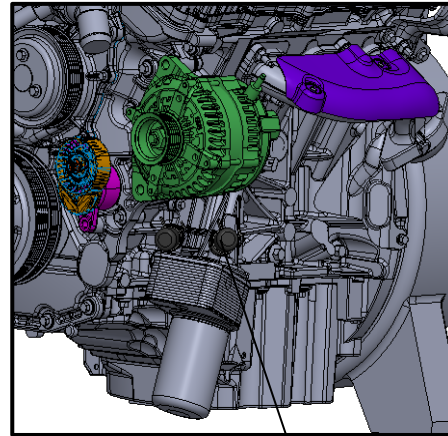


Quantity	Description	Part #
1	12V LPG Shutoff valve	N301652
1	12V LPG Shutoff Valve 90 deg	N301641
1	12V NG Shutoff valve	8214235
1	12V LPG Shutoff Valve w/ filter	6690020
1	Shutoff Valve Connector kit	5010030A

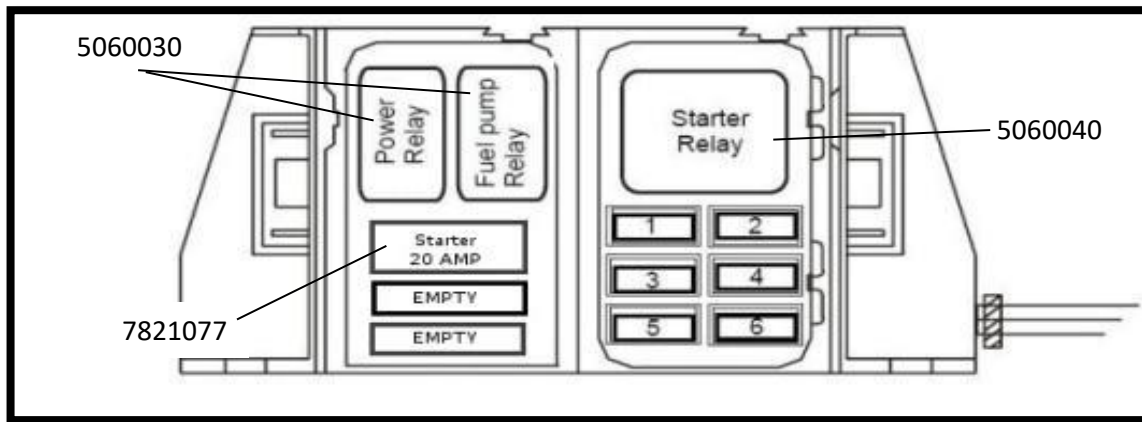
Starter, Charging System, and Relays



LK4Z11002

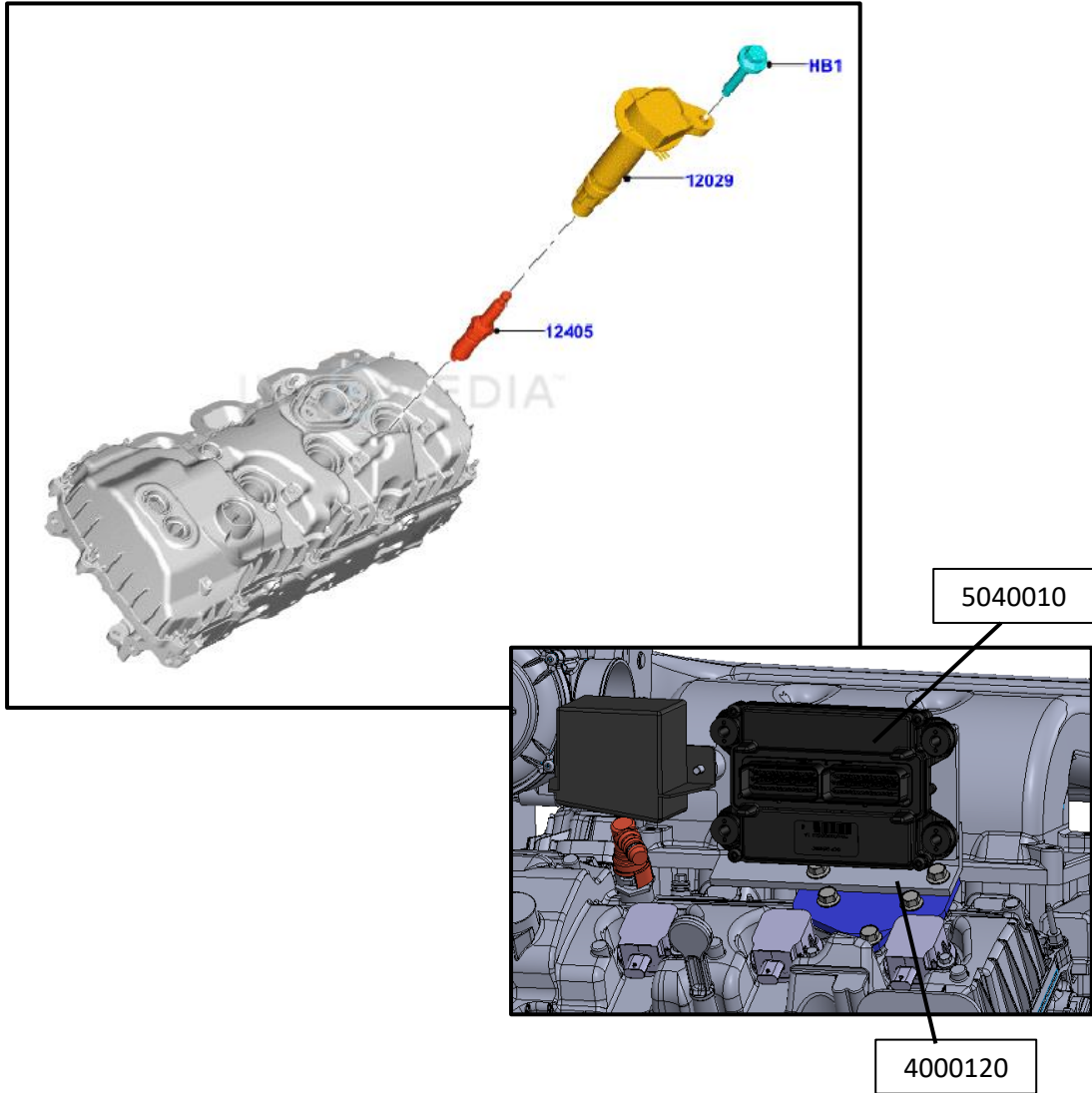


L1MZ10346F



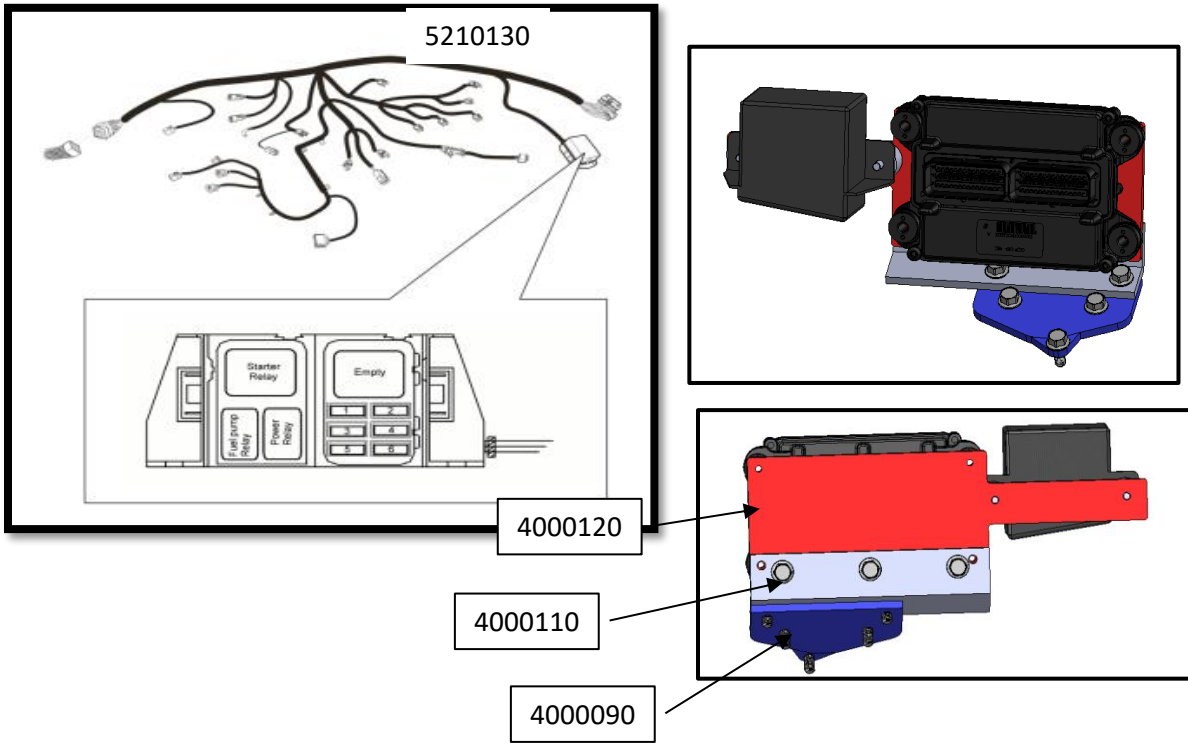
Quantity	Description	Part #
1	Starter	LK4Z11002C
1	Alternator	L1MZ10346F
2	Fuel Pump and Power Relays	5060030
1	Starter Relay	5060040
1	Relay Box Top	5210010
1	Relay Box Top Sticker	5210020
1	Fuse Box Mount, right	5210040
1	Fuse box mount, left	5210050
1	Starter Fuse 20 AMP	7821077

Starter, Charging System, and Relays



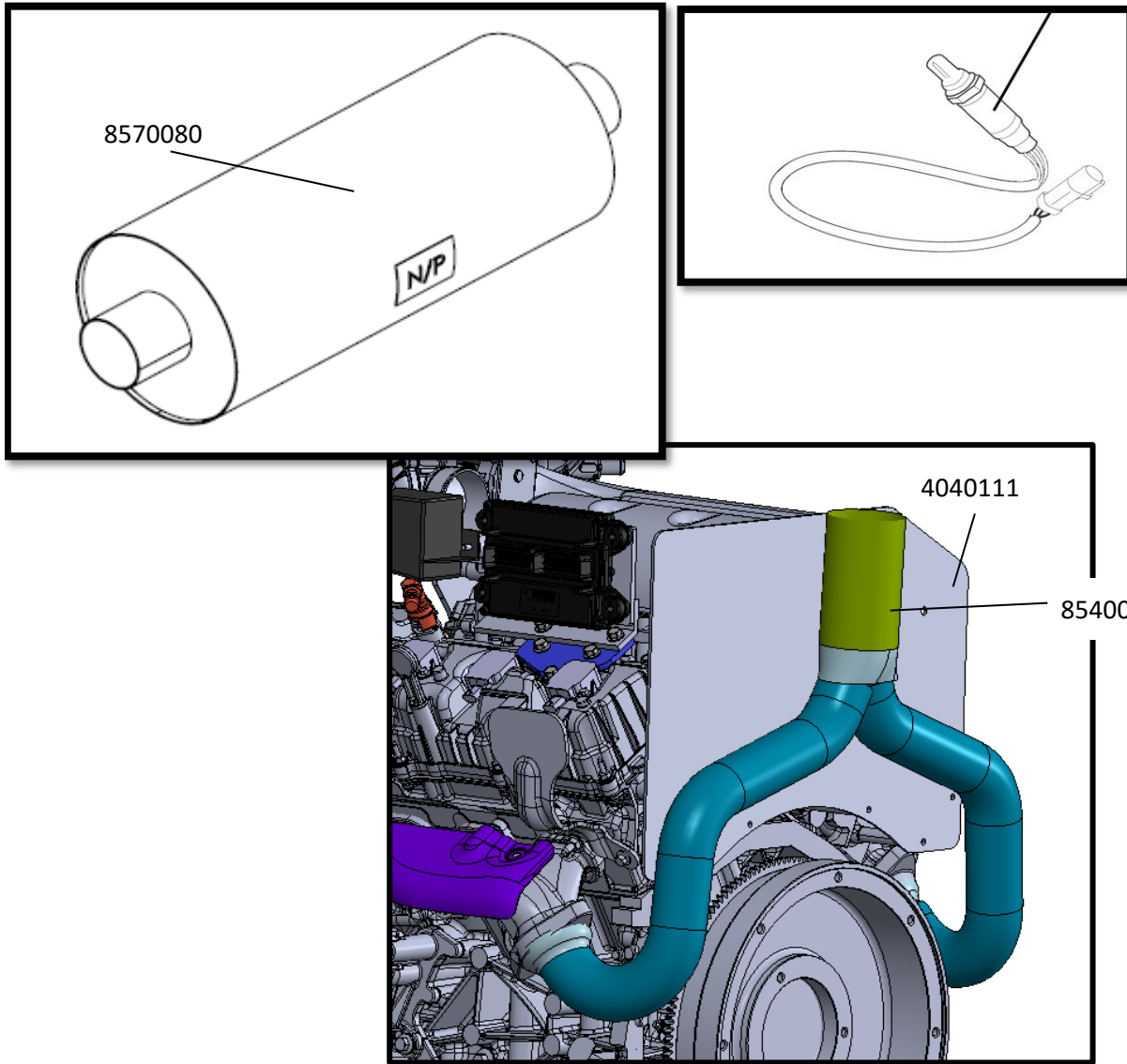
Quantity	Description	Part #
1	ECU (4G)	5040010
6	Ignition Coil	JL3Z-12029-A
6	Spark Plug	CYFS-12F-5 (Motorcraft SP 520)
6	Bolt, M5x27mm	W714507-S437
1	ECU (4G) Bracket	4000120
1	ECU Support Bracket	4000110

Harnesses and Misc.



Quantity	Description	Part #
1	Main Engine Harness	5210130
1	Alternator Charge Wire	5260050
1	Gasoline Fuel Block Harness	5260010
2	Fuse box isolators	50959-5
1	ECU Bracket	4000120
1	ECU Support Bracket	4000110
1	High Pressure Pump Plate	4000090
1	Diagnostic Software and Cable	5080050
1	GCP Connector Slide Lock	5240030
1	GCP Connector Cover	5240020
4	GCP Mount Screws M6x1.0x30	NA
4	Fuse Box Isolator Nuts; M6x1.0	NA
1	Fuse Box Cover	5210010
1	Fuse Box Cover Sticker	5260120

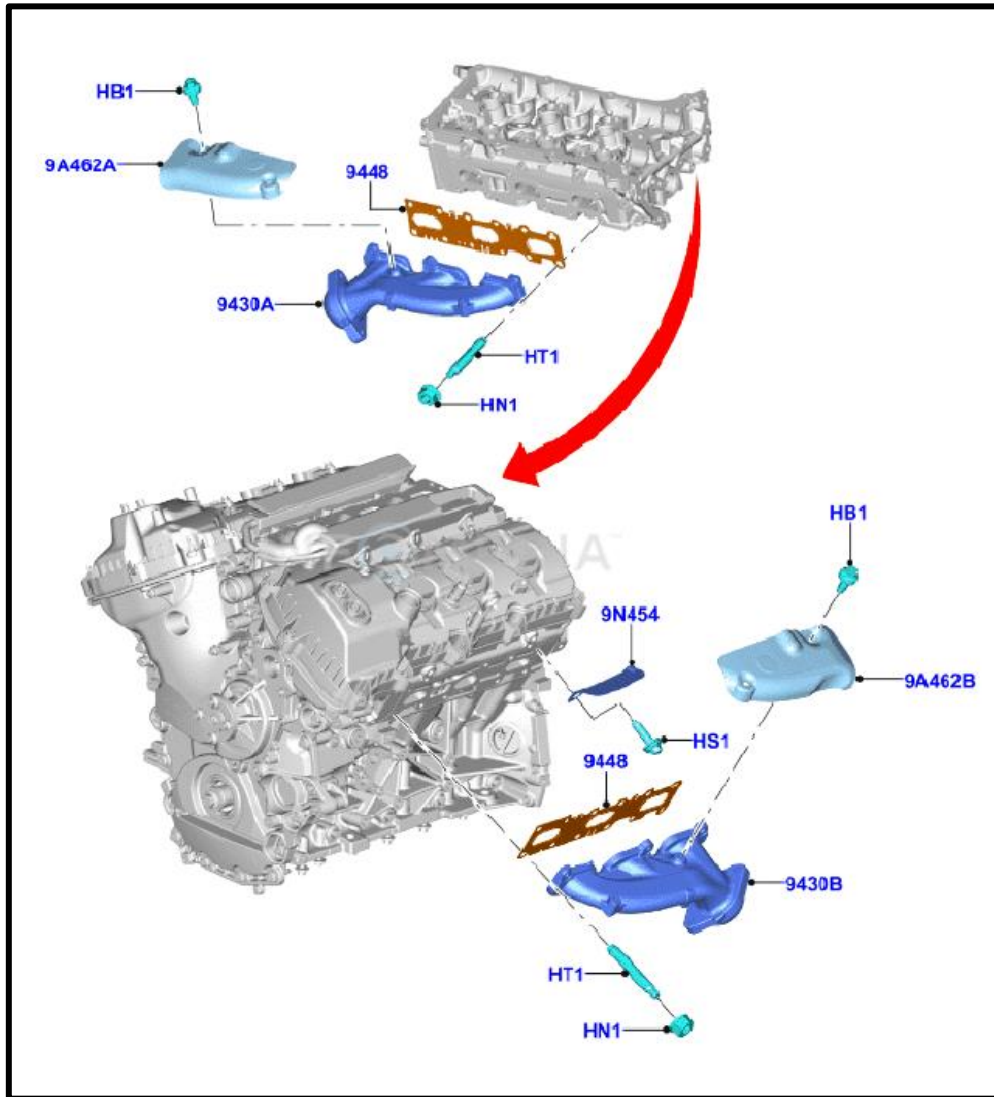
Exhaust System Components



Quantity	Description	Part #
1	Catalyst Muffler	8570080
1	Cat Muffler O2 Plug (M18)	40129
2	Exhaust O2 Sensor (pre and post catalst)	5060010
1	Pre-Cat Sensor Pipe Bung	F5AC9J467CA
1	Y Pipe	8540090
1	Rear Heat Shield	4040111
2	Catalyst Muffler Mounting Band	M002119

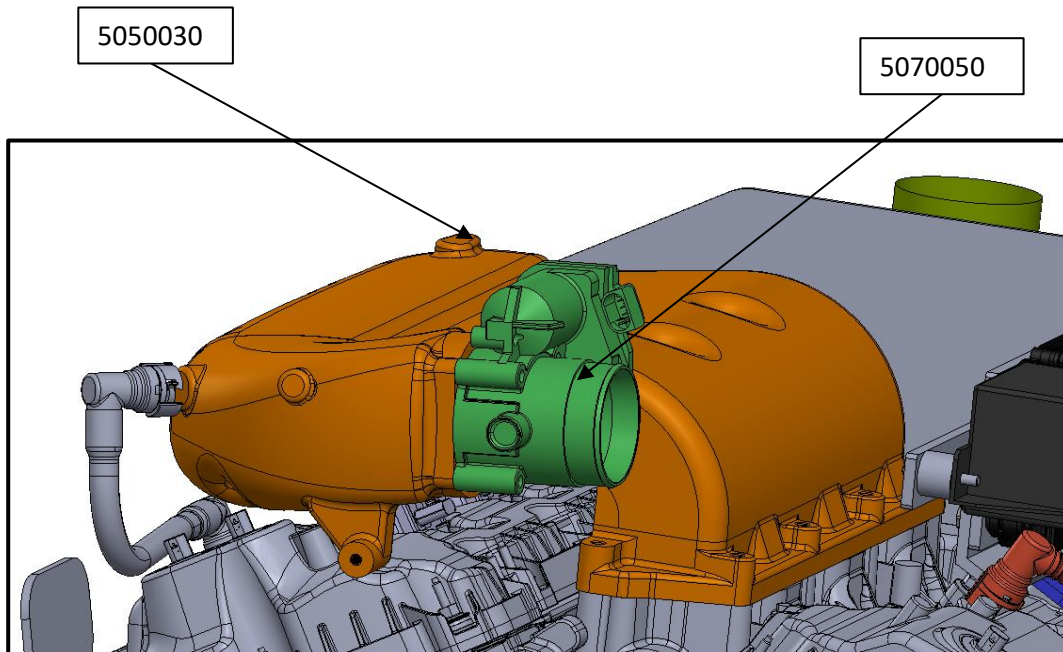
Exhaust Y Pipes and mounting bands are optional, may not be installed on engine, consult with OEM

Exhaust System Components



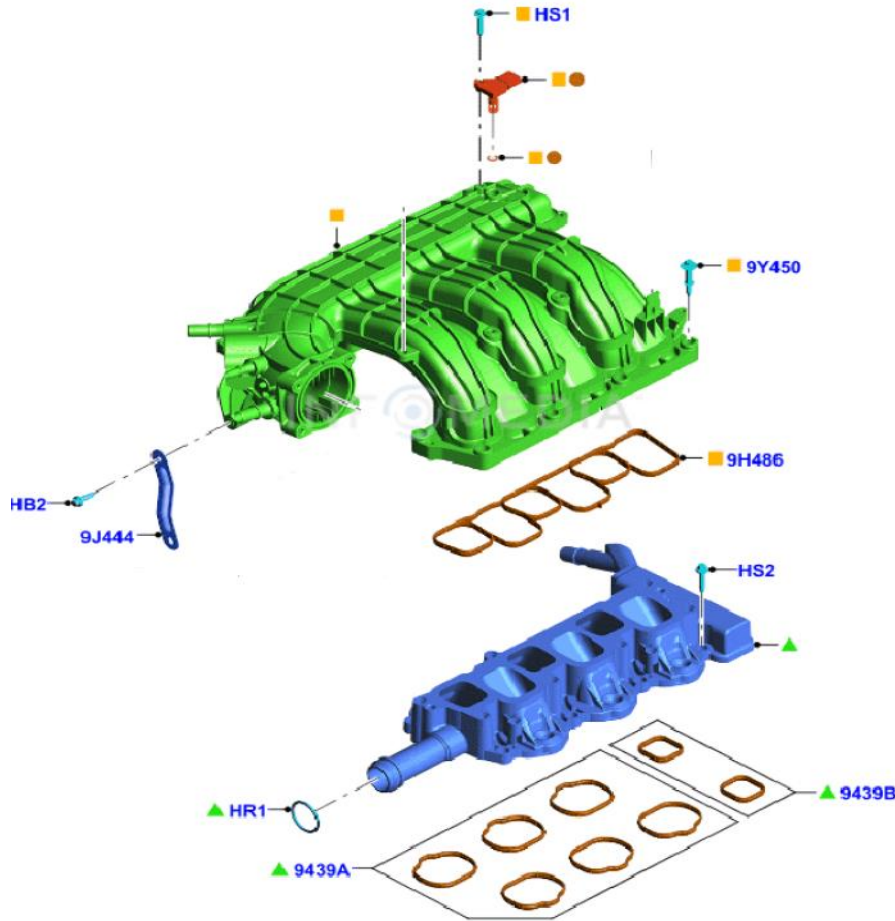
Quantity	Description	Part #
1	Exhaust Manifold RH (9430A)	JL3Z-9430-D
1	Exhaust Manifold LH (9430B)	JL3Z-9431-B
2	Manifold Gasket	JL3Z-9448-A
1	Manifold Heat Shield RH (9A462A)	LK4Z-9A462-A
1	Manifold Heat Shield LH (9A462B)	LK4Z-9Y427-A
1	Crank Sensor Heat Shield	L1MZ-9N454-B
4	Bolt M6 x 14mm (HB1)	W714133-S439
6	Nut M8 Hex (HN1)	W701706-S430
6	Stud M8 x 16 + M8 x 25 (HT1)	W712244-S300
2	Screw M8 x 27 (HS1)	W503295-S437
1	Exhaust Manifold Plug	40128

Intake Air System



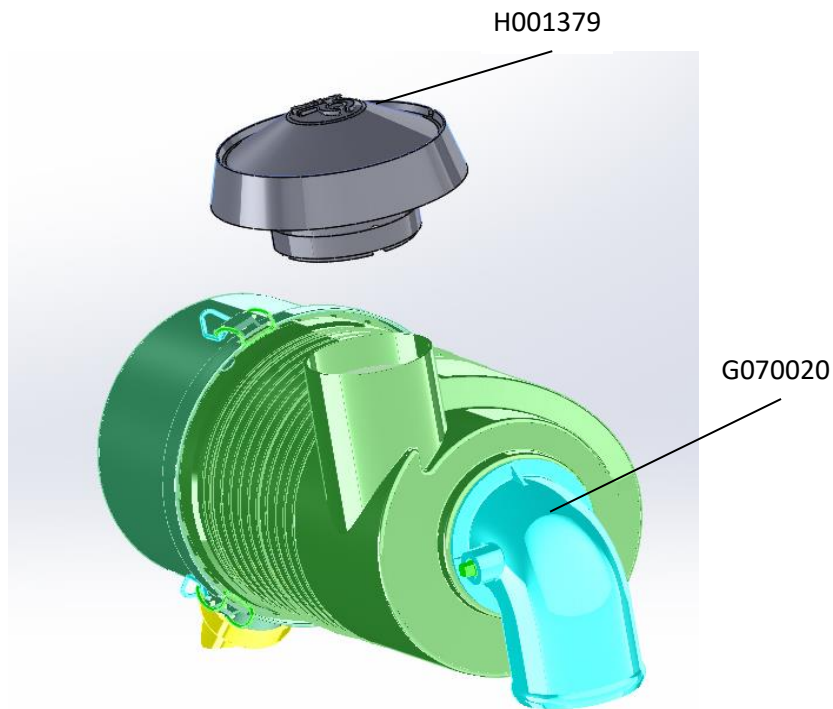
Quantity	Description	Part #
1	Bosch Governor	5070050
1	Bosch Governor Gasket	1U1L-9E936-BA
1	TMAP Sensor	5050030
1	TMAP Sensor Bolt, M6x1.0x16MM	NA
4	Throttle to Intake Bolts (mixer), M6x1.0x20MM	NA
4	Throttle to Intake Bolts (no mixer), M6x1.0xXXMM	NA

Intake Air System



Quantity	Description	Part #
1	Intake Manifold	907009
1	Lower Intake Manifold	JL3Z-9424-B
6	Gasket Water Galley 1	7T4Z-9439-E
2	Gasket Water Galley 2	7T4Z-9439-D
1	Support Bracket	BR3Z-9J444-B
1	Intake Manifold Gasket	AT4Z-9H486-A
1	Intake to Throttle Gasket	1U1L-9E936-BA
2	Bolt, M6 x 20MM (HB2)	W503275-S437
1	O-Ring, 15MM (HR1)	AT4Z-8527-A
1	Screw, M6 x 20 (HS1)	W506855-S442
8	Screw, M6 x 30 (HS2)	W503279-S437
2	Intake Manifold Bolts, M6x118	W715096-S450

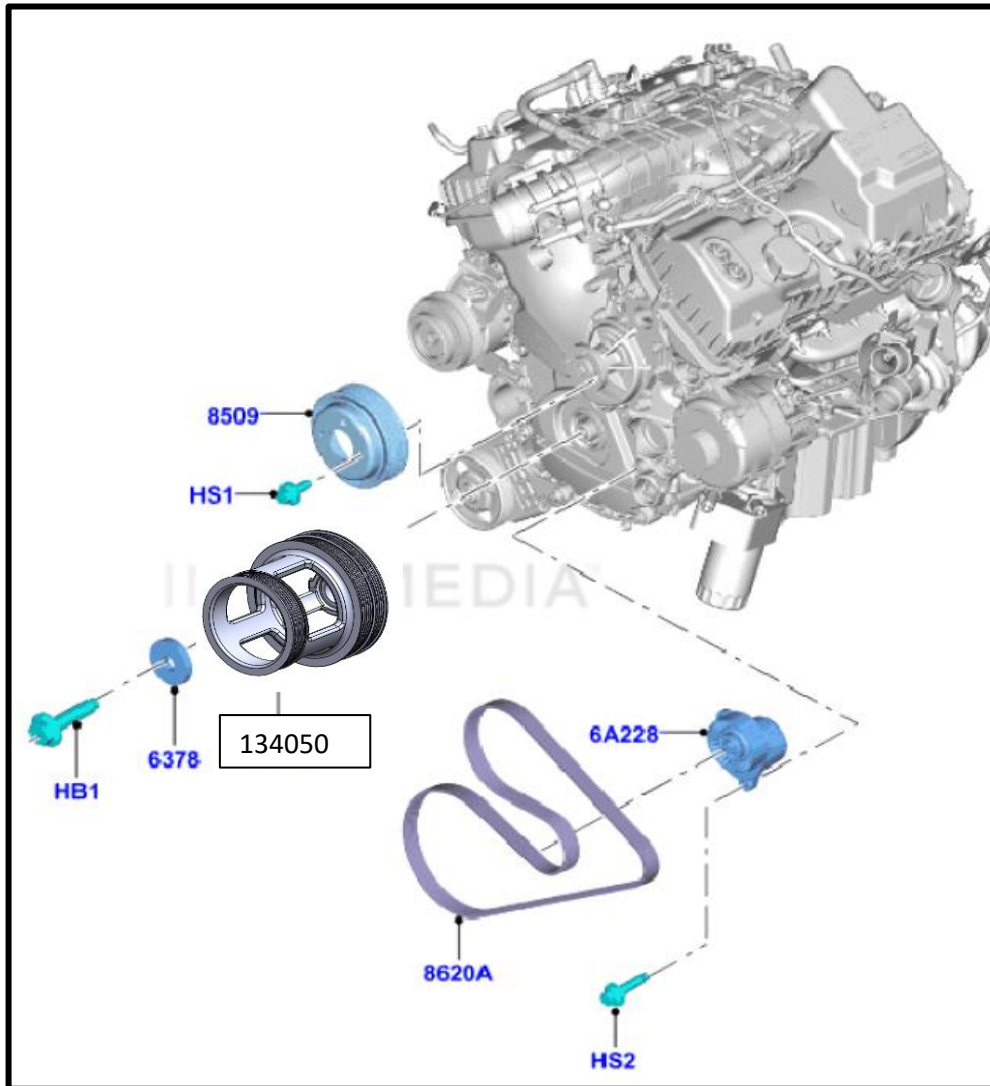
Intake Air Cleaners



Quantity	Description	Part #
1	90° Air Cleaner; 3" outlet (pictured)	G070020
1	Air Cleaner Straight; 3" outlet	G070019
1	Mountings bracket for above air cleaners	H002070
1	Air cleaner hood	H001379
1	Filter Indicator	X002351
1	Dry Type Air Cleaner	C085004
1	Rubber Hump Reducer/Expander 3" to 2.75"	P520883
1	3" 90 deg Elbow Recommended on dry fuels	3-90B

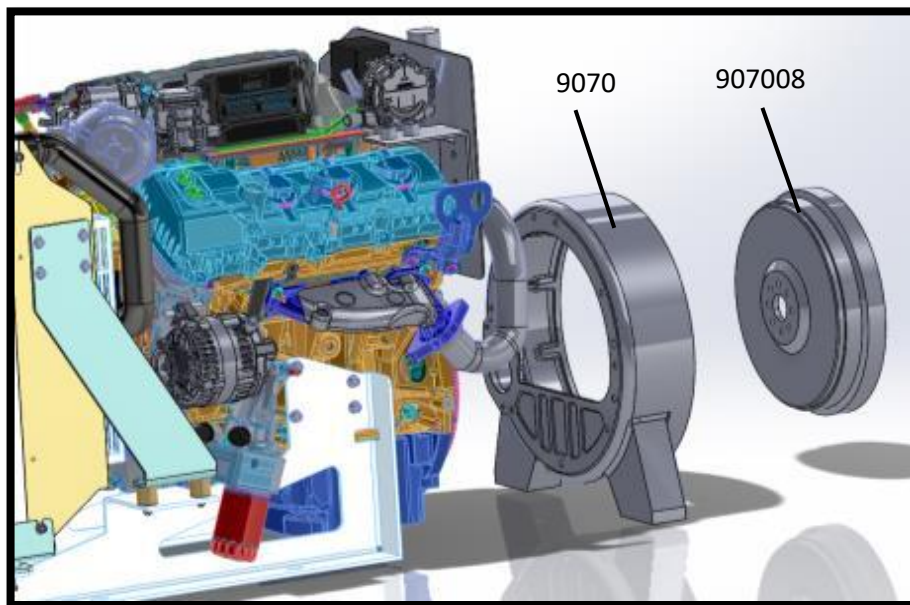
All intake air parts are optional, may not be installed on engine, consult with OEM

FEAD



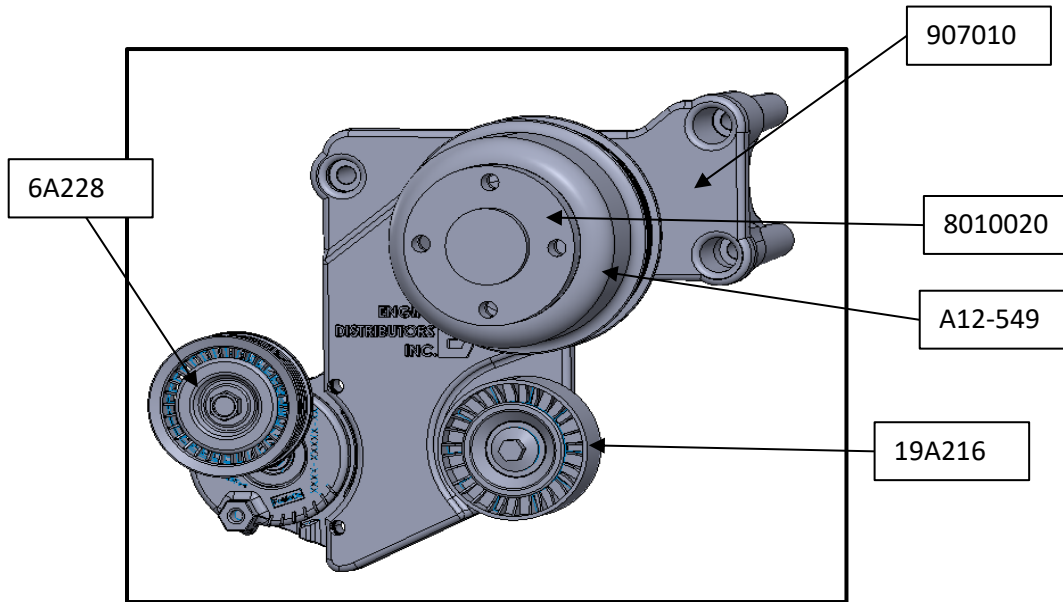
Quantity	Description	Part #
1	Tensioner	HL3Z-6A228-A
1	EDI Extended Crank Pulley	134050
1	Crank Pulley Washer	F1AZ-6378-A
1	Water Pump Pulley	ER3Z-8509-A
1	FEAD Belt	BL3Z-8620-C
1	Crank Pulley Bolt (HB1)	HL3Z-6A340-A
2	Tensioner Bolt (HS2)	W713261-S437
3	Water Pump Pulley Bolt (HS1)	W719168-S437

Flywheel and Housings



Quantity	Description	Part #
1	SAE 3 Housing	907007
8	SAE 3 Housing Bolts, M10x1.5x40MM	NA
1	SAE 11.5" Flywheel	907008
1	SAE 11.5" Bearing Adapter	130636
1	SAE Flywheel Ring Gear	1050070
8	SAE 11.5" Flywheel Bolts	F6ZZ6379AA
1	PTO Clutch (2.5165" Keyed Shaft)	434510AM

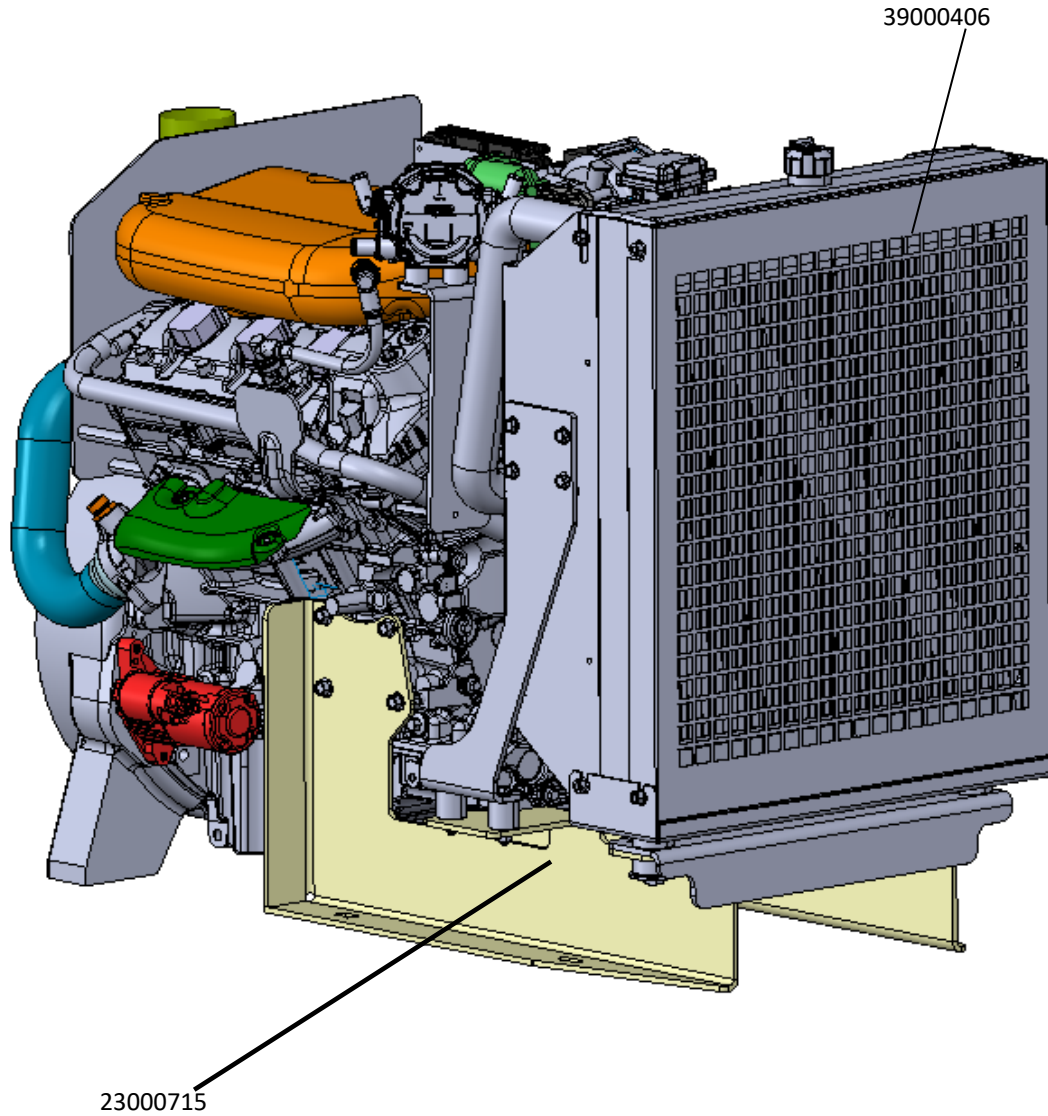
Cooling Fan Drive and Spacer



Quantity	Description	Part #
1	Fan Drive Kit with Bearing - Kit includes cast bracket, hardware, bearing and taperd shaft.	907010
1	Suction/Pusher Fan Spacer	8010020
1	Suction Cooling Fan 18" (radiator 39000406)	9010130
1	Pusher Cooling Fan 18" (radiator 39000406)	9010120
1	Tensioner Assembly	6E5Q-6A228-BD
1	Idler Assembly	4S7Q-19A216-JA
1	Fan Pulley	A12-549
1	Fan Belt	5060500

Fans are optional, may not be installed on engine, consult with OEM

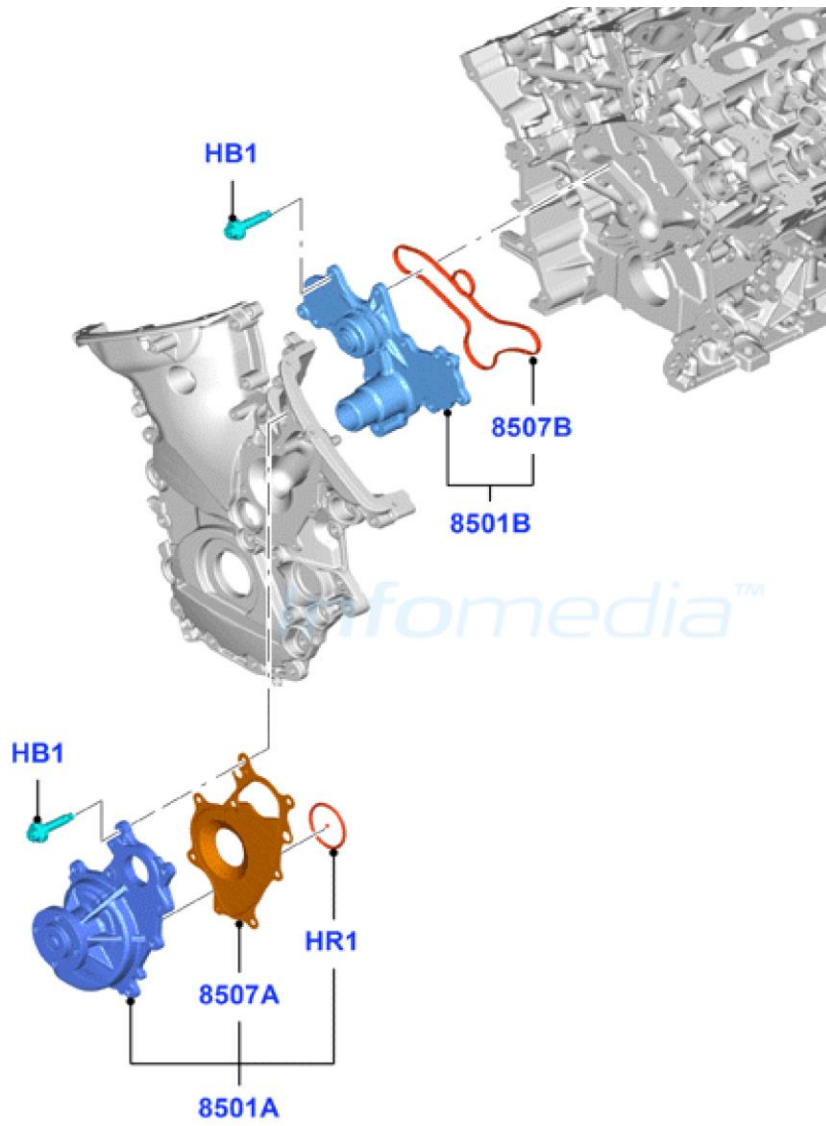
Radiator and Bracket/Hose Kit



Quantity	Description	Part #
1	Aluminum Radiator (Std Duty, 18" Fan, pictured)	39000406
1	Mounting Bracket and Hose Kit (39000406 Rad)	23000715
1	Aluminum Radiator (High Capacity, 18" Fan)	39000400
1	Mounting Bracket and Hose Kit (39000400 Rad)	23000704
1	Overflow Bottle (Pop Top)	81500003
1	Overflow Bottle (Screw Top)	81500047

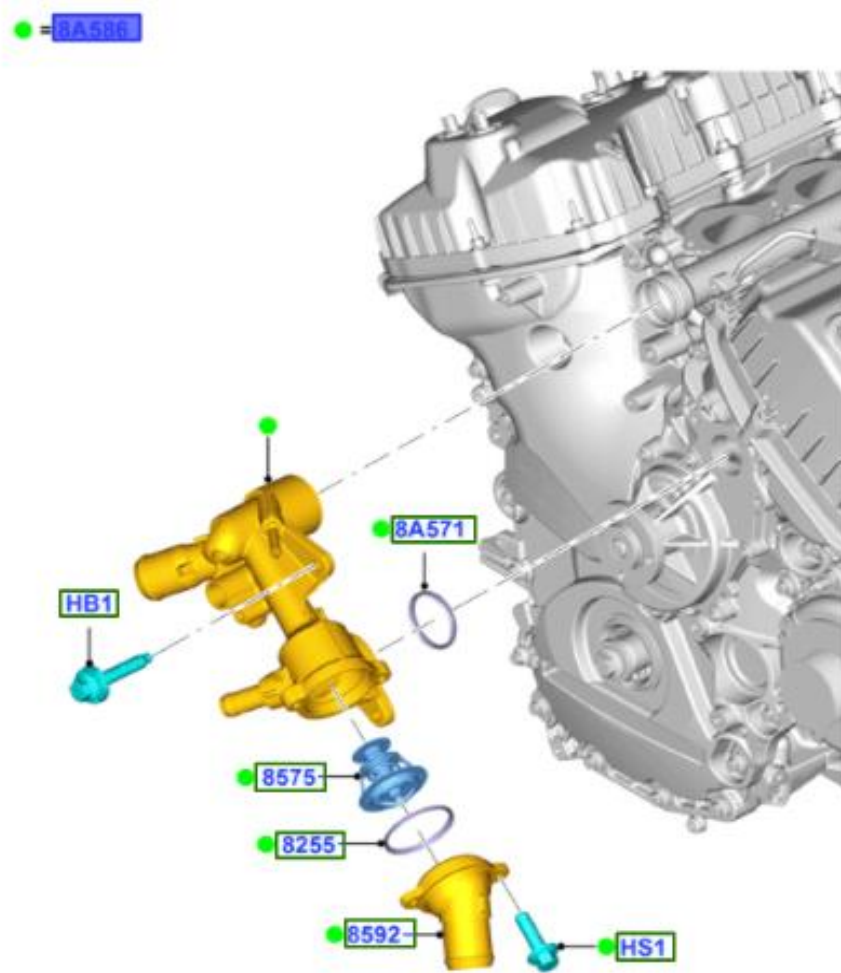
Radiators are optional, may not be installed on engine, consult with OEM

Cooling System



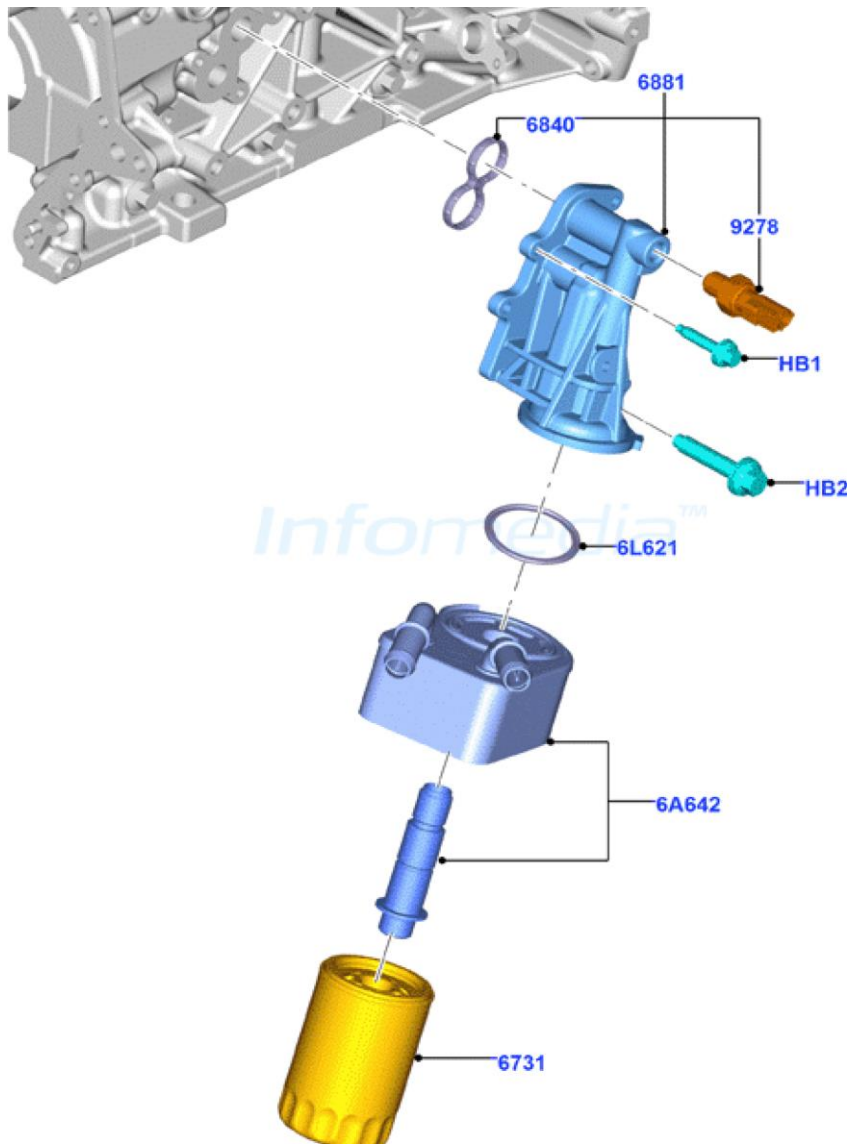
Quantity	Description	Part #
1	Water Pump Assembly (8501B)	BR3Z-8501-D
1	Water Pump Assembly (8501A)	LK4Z-8501-B
1	Gasket Water Pump (8507A)	L1MZ-8507-A
1	Gasket Water Pump (8507B)	BR3Z-8507-L
17	Bolt M6 x 27mm (HB1)	W503278-S437
1	O-ring (37.5MM) (HR1)	BR3Z-8527-A

Cooling System



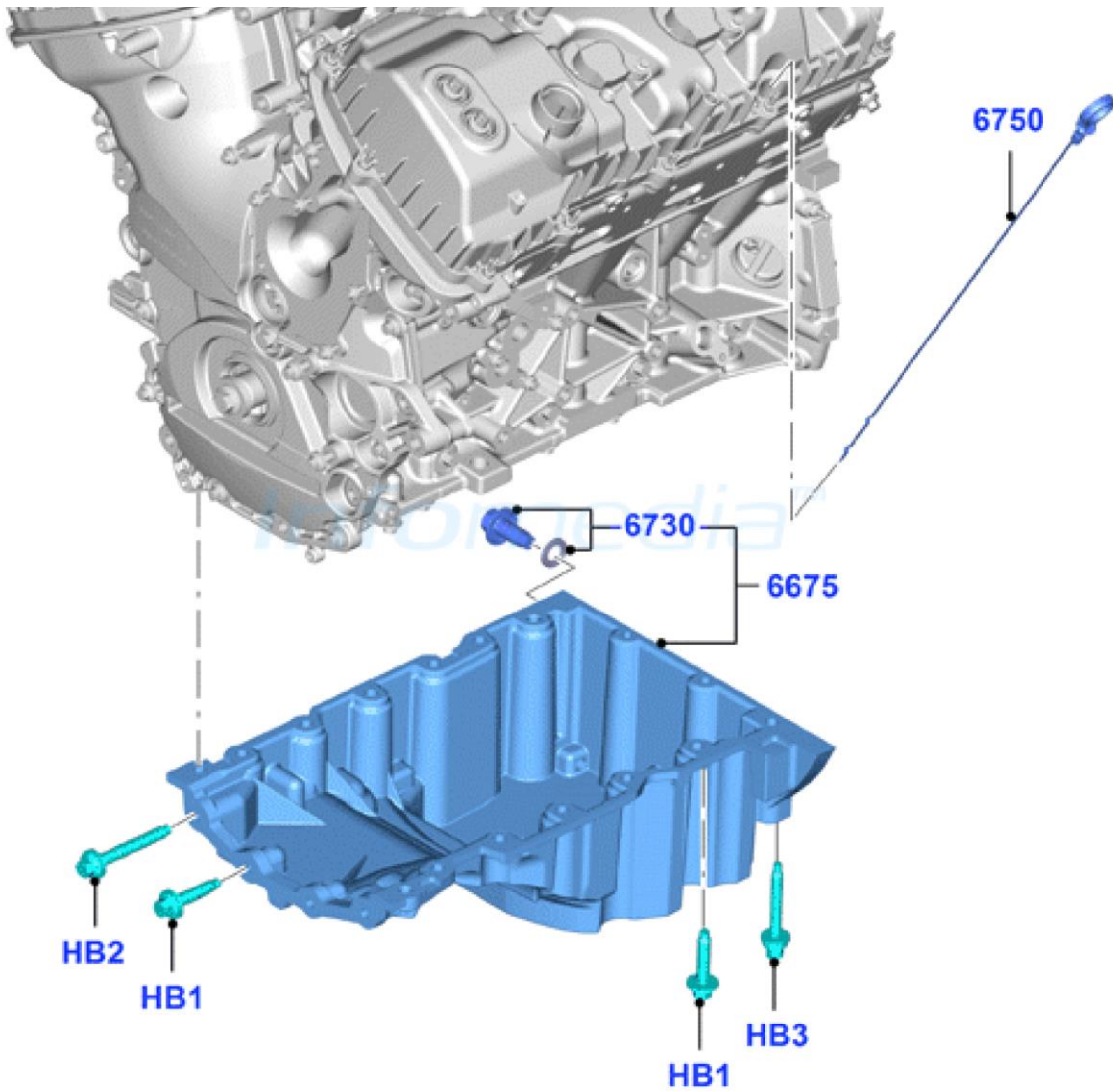
Quantity	Description	Part #
1	Housing - Thermostat (8A586)	BL3Z-8592-C
1	Gasket	BR3Z-8255-A
1	Gasket (8A571)	7T4Z-8590-A
1	Thermostat	BL3Z-8575-A
1	Water Outlet Connection	BR3Z-8592-Q
4	Bolt, M6 (HB1)	W714841-S437
2	Screw M6 x 20 (HS2)	W500014-S437
1	Coolant Cap 3/4"	F8JL8A500BA
1	Coolant Cap 5/8"	F8JL8A500AA

Oil Filter and Housing



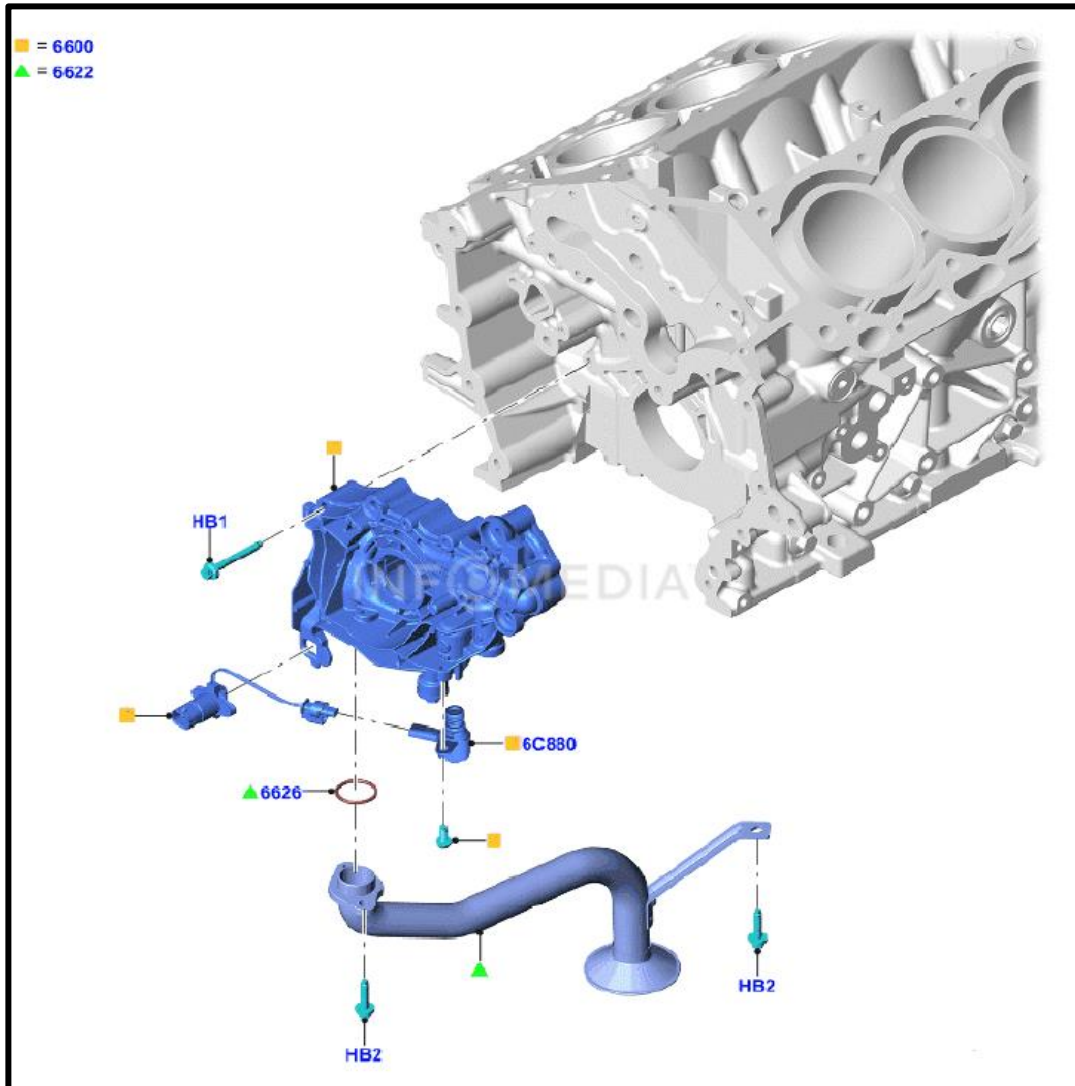
Quantity	Description	Part #
1	Oil Cooler Assembly	DK4Z-6A642-A
1	Oil Filter	AA5Z-6714-A (FL-500s)
1	Gasket	BR3Z-6840-A
1	Adapter Housing	LK4Z-6881-C
1	Oil Sensor Switch	GN1Z-9D290-F
4	Bolt, M6 x 27mm (HB1)	W503278-S437
1	Bolt, M10 x 45mm (HB2)	W503319-S437
2	Oil Cooler Caps	F8JL8A500BA
***6 Quarts refill of 5W-20 to 5W-30		

Oil Pan and Tube



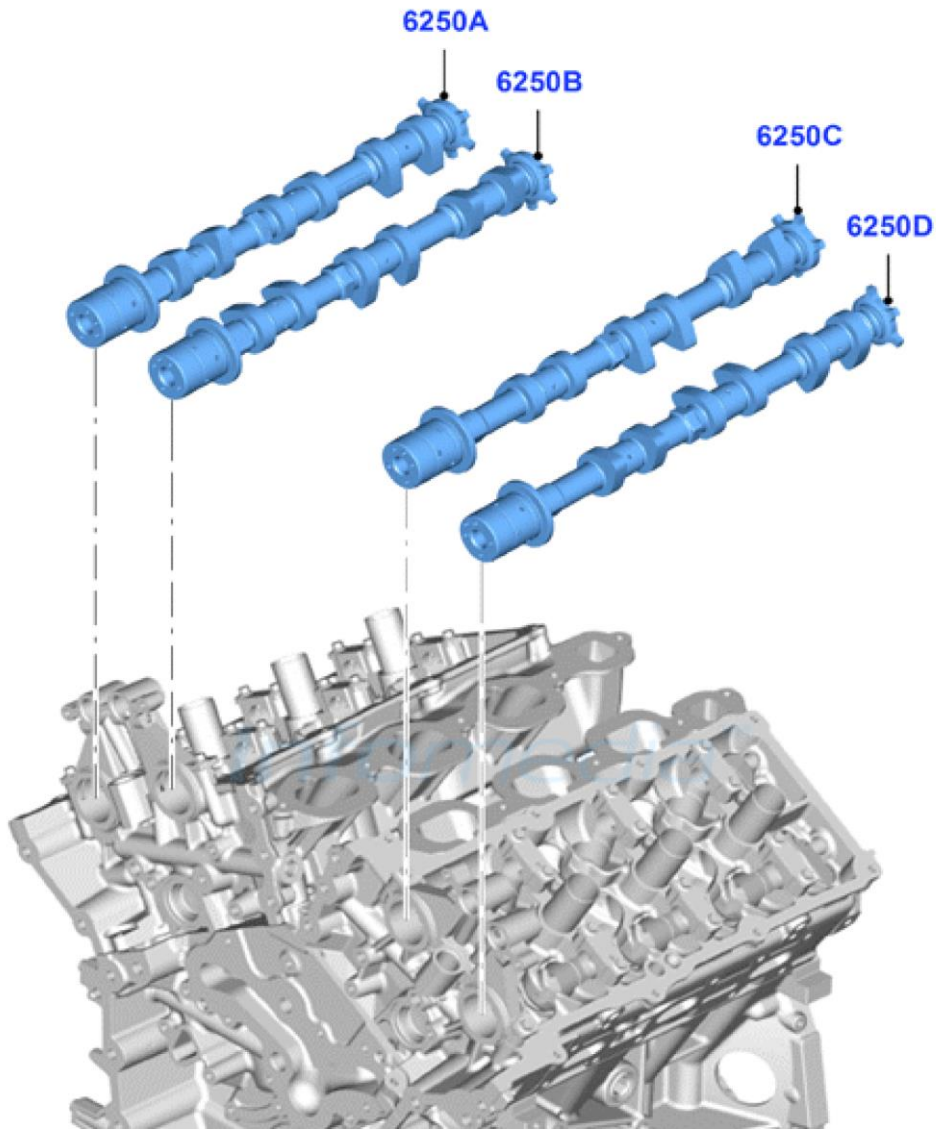
Quantity	Description	Part #
1	Oil Pan	ML3Z-6675-D
1	Oil Pan Plug (M12)	9L8Z-6730-A
1	Oil Level Indicator (dipstick)	JL3Z-6750-D
18	Bolt, M8 x 35mm (HB1)	W712943-S437
1	Bolt, M8 x 57mm (HB2)	W716486-S437
1	Bolt M8	W708221-S437

Oil Pump



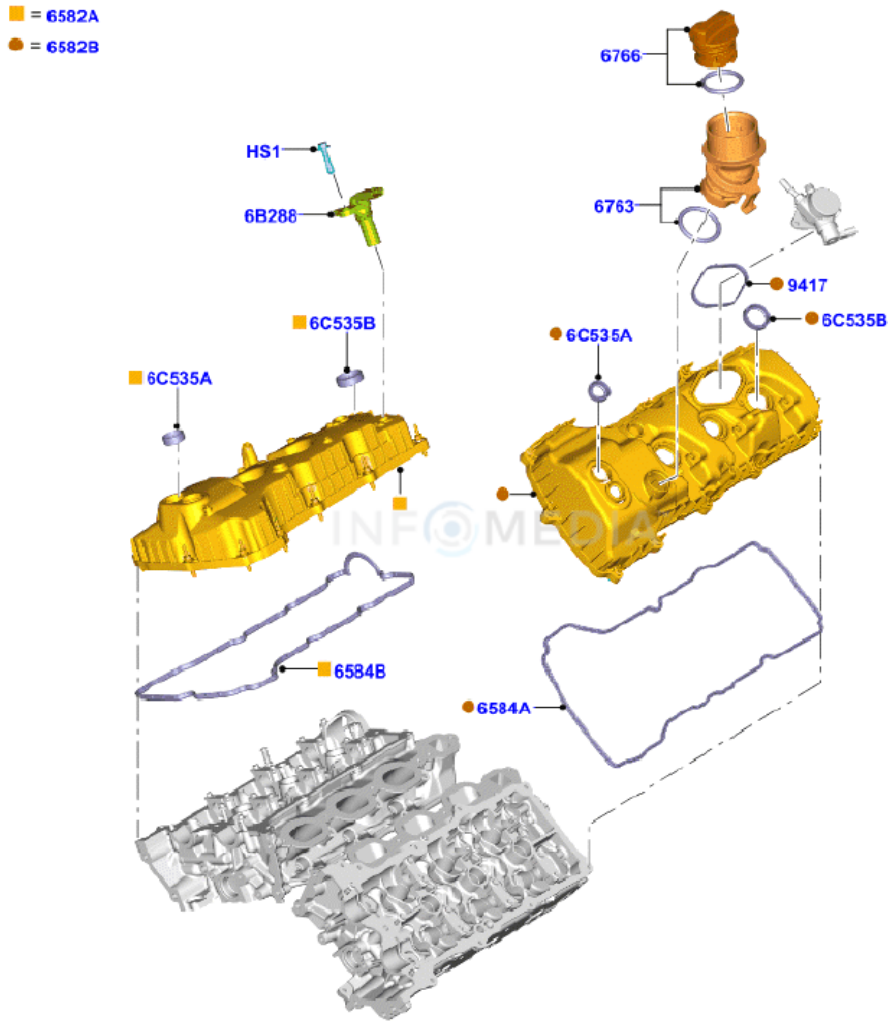
Quantity	Description	Part #
1	Oil Pump	HL3Z-6600-A
1	Oil Pump Inlet Tube	LK4Z-6622-B
1	Gasket	HL3Z-6626-A
1	Solenoid Assembly	HL3Z-6C880-B
1	Sleeve	HL3Z-14A464-B
3	Bolt, M6 x 50MM (HB1)	W718855-S430
3	Bolt, M6 x 27MM (HB2)	W720288-S450

CAMSHAFTS



Quantity	Description	Part #
1	CAM, RH Exhaust, 6250A	HR3Z-6250-B
1	CAM, RH Intake, 6250B	AT4Z-6250-F
1	CAM, LH Intake, 6250C	HR3Z-6250-A
1	CAM, LH Exhaust, 6250D	HR3Z-6250-C

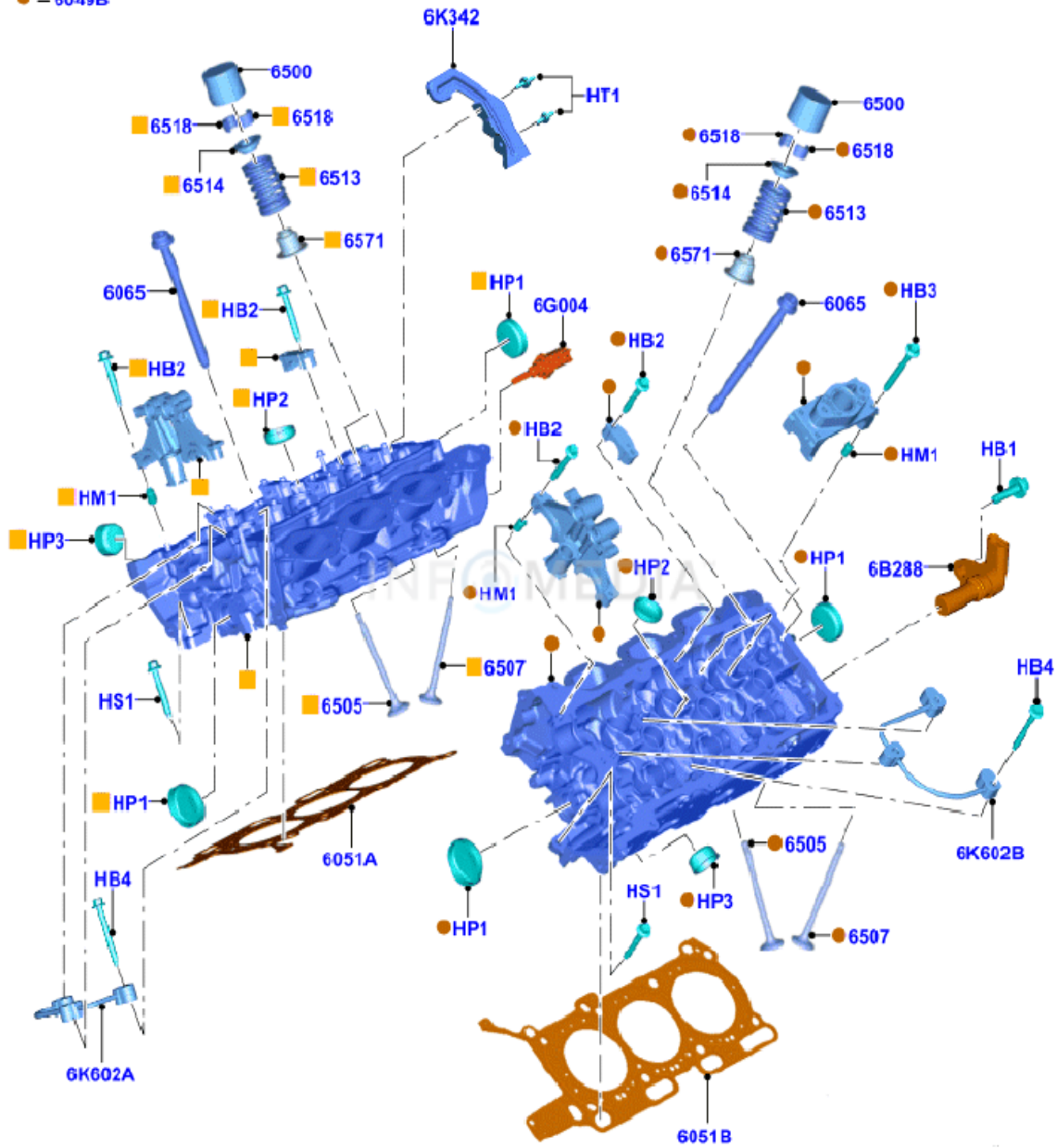
CAMSHAFT COVER



Quantity	Description	Part #
4	Seal - Valve	BR3Z-6C535-A
6	Seal - Valve	BR3Z-6C535-B
1	Cover - CAM RH (6582A)	BR3Z-6582-U
1	Cover - CAM LH (6582B)	JL3Z-6582-A
1	Gasket, RH (6584B)	BR3Z-6584-B
1	Gasket, LH (6584A)	BL3Z-6584-A
1	Oil Filler Cap	F2GZ-6766-C
1	Oil Inlet Pipe	HL3Z-6763-B
2	Camshaft Position Sensor	BL3Z-6B288-C
1	High Pressure Pump Gasket	BL3Z-9417-A
2	Screw, M6 x 30MM (HS1)	W507065-S437

Cylinder Head

- = 6049A
- = 6049B



Refer to Next Page for Parts Listing

Cylinder Head

Quantity	Description	Part #
1	Sensor - Cylinder Head Temp	9L8Z-6G004-E
1	CYLINDER HEAD ASSY, RH (6049A)	JL3Z-6049-B
1	CYLINDER HEAD ASSY, LH (6049B)	LK4Z-6049-C
1	Cylinder Head Gasket RH (6051A)	BL3Z-6051-G
1	Cylinder Head Gasket LH (6051B)	BL3Z-6051-H
16	Bolt - Cylinder Head, 8 per package	AT4Z-6065-B
2	CAM Sensor, Inner	BL3Z-6B288-C
1	Shield	JL3Z-6K342-A
12	Exhaust Valve	AT4Z-6505-A
12	Intake Valve	7T4Z-6507-B
24	Valve Spring	ET4Z-6513-B
24	Valve Spring Retainer	7T4Z-6514-AA
48	Valve Spring Retainer Collet	1S7Z-6518-AA
24	Valve Stem Seal, 4 per package	BL3Z-6571-A
1	Tube RH	AT4Z-6K602-AB
1	Tube LH	AT4Z-6K602-BB
4	Bolt, M6 x 20MM (HB1)	W503275-S437
26	Bolt, M6 x 40MM (HB2)	W710702-S300
4	Bolt, M6 x 57MM (HB3)	W716322-S430
6	Bolt, M6 x 55M (HB4)	W500305-S437
6	Misc Hardware, 8 x 13MM, 4 per package (HM1)	W701200-S
4	Plug, 31MM, Cup Type (HP1)	W701761-S300
2	Plug, 19.35MM Cup Type (HP2)	W701762-S300
2	Plug, 13MM Cup Type (HP3)	W716208-S900
2	Screw, M6 x 30MM (HS1)	W503279-S437
2	Stud, M6 x 12MM, M6 x 16MM (HT1)	W709065-S437

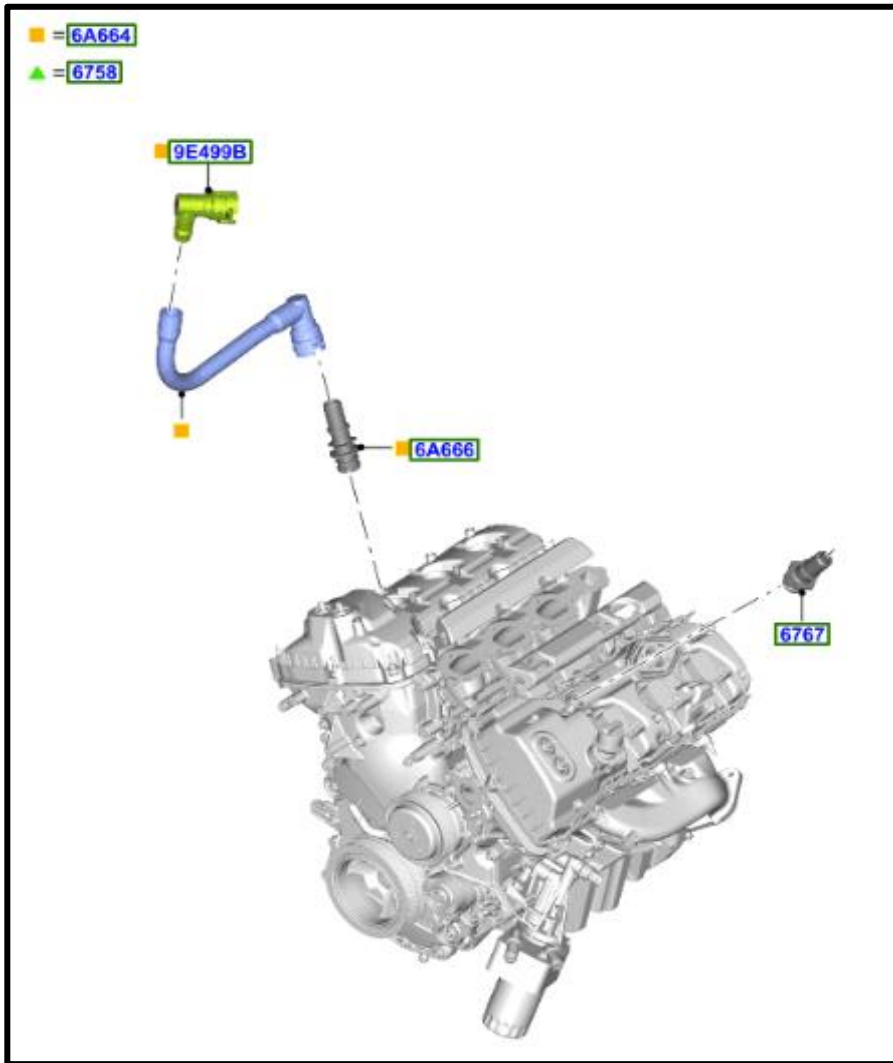
See Next Page for Tappets

Cylinder Head Tappets

REFER TO WORKSHOP MANUAL FOR PROPER SIZE SELECTION

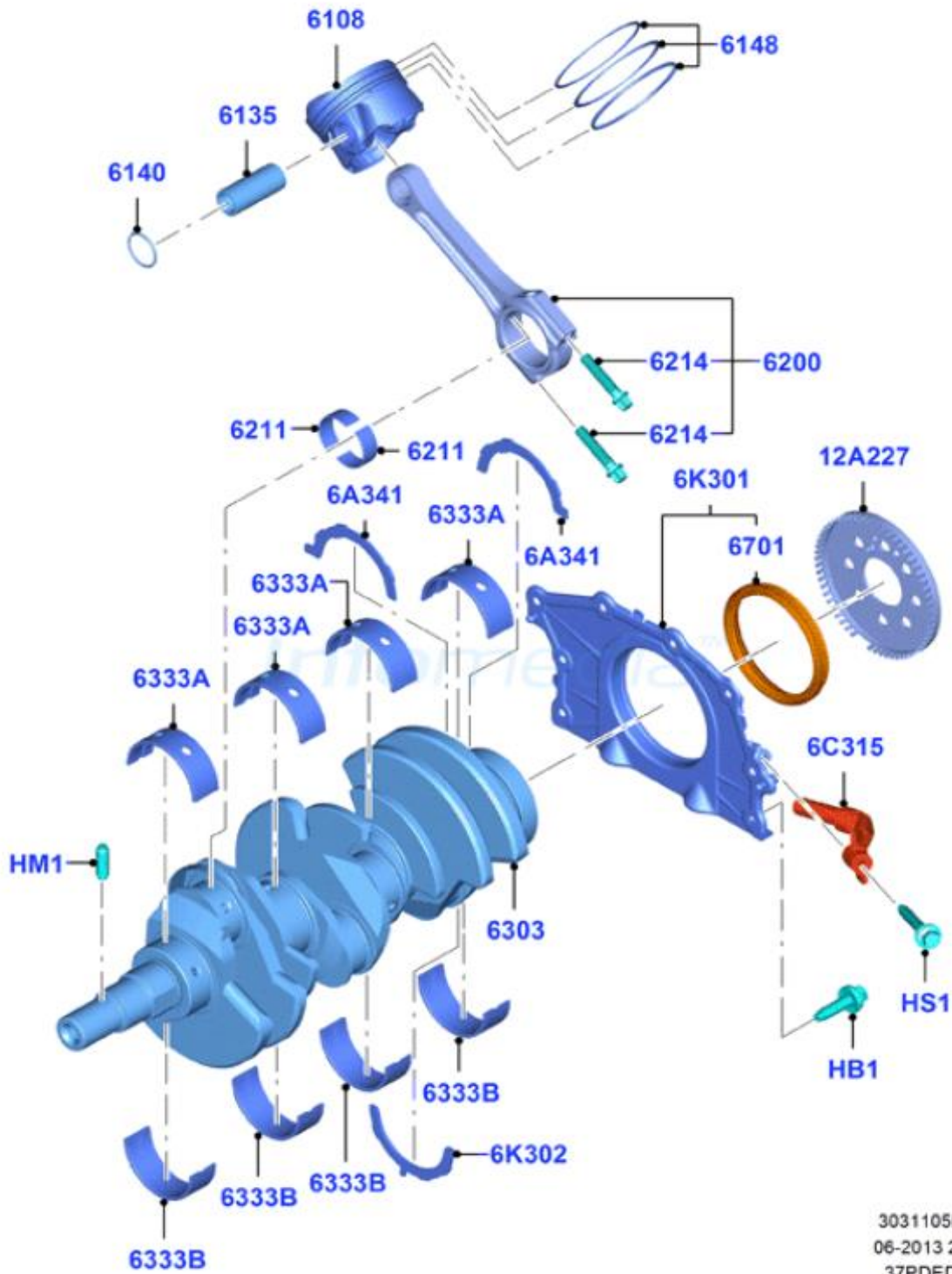
Quantity	Description	Part #
AR	TAPPET ASY, 2.950MM	AT4Z-6500-AAA
AR	TAPPET ASY, 2.965MM	AT4Z-6500-ABA
AR	TAPPET ASY, 2.98MM	AT4Z-6500-ACA
AR	TAPPET ASY, 2.995MM	AT4Z-6500-ADA
AR	TAPPET ASY, 3.010MM	AT4Z-6500-AEA
AR	TAPPET ASY, 3.025MM	AT4Z-6500-AFA
AR	TAPPET ASY, 3.040MM	AT4Z-6500-AGA
AR	TAPPET ASY, 3.055MM	AT4Z-6500-AHA
AR	TAPPET ASY, 3.070MM	AT4Z-6500-AJA
AR	TAPPET ASY, 3.085MM	AT4Z-6500-AKA
AR	TAPPET ASY, 3.100MM	AT4Z-6500-ALA
AR	TAPPET ASY, 3.115MM	AT4Z-6500-AMA
AR	TAPPET ASY, 3.130MM	AT4Z-6500-ANA
AR	TAPPET ASY, 3.145MM	AT4Z-6500-ARA
AR	TAPPET ASY, 3.160MM	AT4Z-6500-ASA
AR	TAPPET ASY, 3.175MM	AT4Z-6500-ATA
AR	TAPPET ASY, 3.190MM	AT4Z-6500-BAA
AR	TAPPET ASY, 3.205MM	AT4Z-6500-BBA
AR	TAPPET ASY, 3.220MM	AT4Z-6500-BCA
AR	TAPPET ASY, 3.235MM	AT4Z-6500-BDA
AR	TAPPET ASY, 3.250MM	AT4Z-6500-BEA
AR	TAPPET ASY, 3.265MM	AT4Z-6500-BFA
AR	TAPPET ASY, 3.280MM	AT4Z-6500-BGA
AR	TAPPET ASY, 3.295MM	AT4Z-6500-BHA
AR	TAPPET ASY, 3.310MM	AT4Z-6500-BJA
AR	TAPPET ASY, 3.325MM	AT4Z-6500-BKA
AR	TAPPET ASY, 3.340MM	AT4Z-6500-BLA
AR	TAPPET ASY, 3.355MM	AT4Z-6500-BMA
AR	TAPPET ASY, 3.370MM	AT4Z-6500-BNA
AR	TAPPET ASY, 3.385MM	AT4Z-6500-BRA
AR	TAPPET ASY, 3.400MM	AT4Z-6500-BSA
AR	TAPPET ASY, 3.415MM	AT4Z-6500-BTA
AR	TAPPET ASY, 3.430MM	AT4Z-6500-CAA
AR	TAPPET ASY, 3.445MM	AT4Z-6500-CBA
AR	TAPPET ASY, 3.460MM	AT4Z-6500-CCA
AR	TAPPET ASY, 3.475MM	AT4Z-6500-CDA
AR	TAPPET ASY, 3.490MM	AT4Z-6500-CEA
AR	TAPPET ASY, 3.505MM	AT4Z-6500-CFA
AR	TAPPET ASY, 3.505MM	AT4Z-6500-CGA
AR	TAPPET ASY, 3.520MM	AT4Z-6500-CGA
AR	TAPPET ASY, 3.535MM	AT4Z-6500-CHA
AR	TAPPET ASY, 3.550MM	AT4Z-6500-CJA
AR	TAPPET ASY, 3.565MM	AT4Z-6500-CKA
AR	TAPPET ASY, 3.580MM	AT4Z-6500-CLA
AR	TAPPET ASY, 3.595MM	AT4Z-6500-CMA
AR	TAPPET ASY, 3.610MM	AT4Z-6500-CNA
AR	TAPPET ASY, 3.625MM	AT4Z-6500-CRA
AR	TAPPET ASY, 3.640MM	AT4Z-6500-CSA
AR	TAPPET ASY, 3.655MM	AT4Z-6500-CTA
AR	TAPPET ASY, 3.670MM	AT4Z-6500-DAA
AR	TAPPET ASY, 3.685MM	AT4Z-6500-DBA

Crankcase Ventilation



Quantity	Description	Part #
1	PCV Hose	JL3Z-6A664-AFC
1	PCV Regulating Valve	KR3Z-6A666-B
1	Breather Elbow (6767)	4L2Z-6762-AA
1	Valve Cover Breather (To 6767)	7T4Z-9E499-E
1	Intake Manifold Fitting <small>Connects to 6A664</small>	134231
2	Vacuum Hose Connector	7T4Z-9E499-B

Pistons, Crankshaft and Rear Man Seal



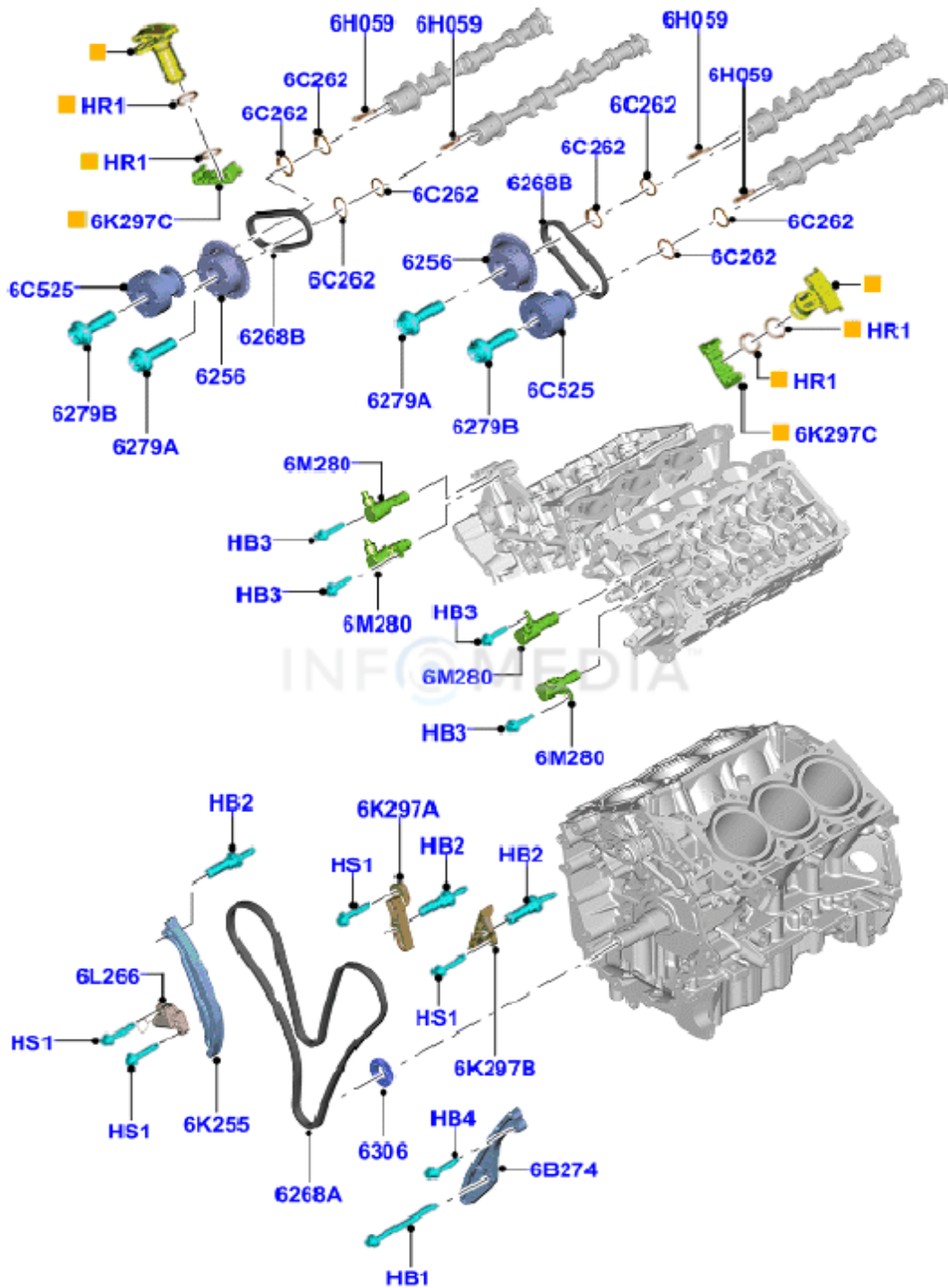
Refer to Next Page for Parts Listing

Pistons, Crankshaft and Rear Man Seal

Quantity	Description	Part #
3	Piston Standard RH, piston only	KT4Z-6108-A
3	Piston Standard LH, piston only	KT4Z-6108-B
6	Piston Pin	JL3Z-6135-A
12	Retainer - Piston Pin	HL3Z-6140-A
6	Piston Ring Kit, standard, Contains Rings for 1 Cylinder	KT4Z-6148-A
6	Piston Ring Kit, .50MM/0.20" O/S, Contains Rings for 1 Cylinder	KT4Z-6148-B
6	Connecting Rod Assembly	HL3Z-6200-B
6	BEARING - CONNECTING ROD, GRADE 2, REFER TO WORKSHOP MANUAL FOR PROPER GRADE SELECTION	HL3Z-6211-C
12	Bolt - Connecting Rod	HL3Z-6214-A
1	RETAINER - SEAL, INCLUDES SEAL, USE RTV SILICONE SEALER IN PLACE OF GASKET FOR THIS APPLICATION. REFER TO WORKSHOP MANUAL FOR SPECIFICATION	CG1Z-6335-B
1	Thrust Washer	8L3Z-6K302-A
1	Crankshaft Assembly	HR3Z-6303-F
1	Crankshaft Position Sensor	BL3Z-6C315-B
4	BEARING - CRANKSHAFT MAIN, GRADE 1, UPPER, REFER TO WORKSHOP MANUAL FOR PROPER GRADE SELECTION	HL3Z-6333-A
4	BEARING - CRANKSHAFT MAIN, GRADE 2, UPPER, REFER TO WORKSHOP MANUAL FOR PROPER GRADE SELECTION	HL3Z-6333-B
4	BEARING - CRANKSHAFT MAIN, GRADE 3, UPPER, REFER TO WORKSHOP MANUAL FOR PROPER GRADE SELECTION	HL3Z-6333-C
4	BEARING - CRANKSHAFT MAIN, GRADE 1 STD, LOWER, REFER TO WORKSHOP MANUAL FOR PROPER GRADE SELECTION	BL3Z-6333-A
4	BEARING - CRANKSHAFT MAIN, GRADE 2 STD, LOWER, REFER TO WORKSHOP MANUAL FOR PROPER GRADE SELECTION	BL3Z-6333-B
4	BEARING - CRANKSHAFT MAIN, GRADE 3 STD, LOWER, REFER TO WORKSHOP MANUAL FOR PROPER GRADE SELECTION	BL3Z-6333-C
2	Washer, crankshaft	8L3Z-6A341-A
1	Seal	AT4Z-6701-A
1	Ring	BL3Z-12A227-A
8	Bolt, M6 x 20MM (HB1)	W503275-S437
1	Dowel Pin (HM1)	W718654-S300
1	Screw, M5 x 35MM (HS1)	W712315-S437

Timing Chain and Gears

■ = 6K254

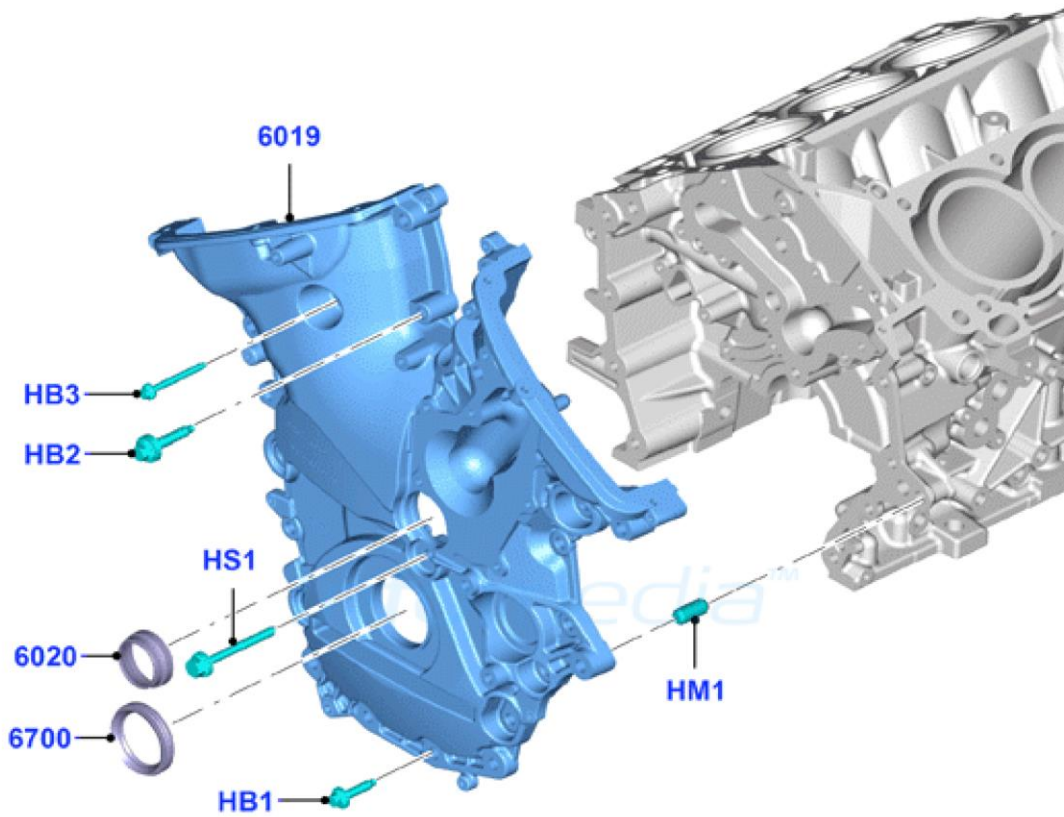


See Next Page for Complete Parts Listing

Timing Chain and Gears

Quantity	Description	Part #
4	CAM Pin (6H059)	AT4Z-6B316-A
2	Tensioner - Timing Belt	AT4Z-6K254-A
1	ARM - Timing Chain	BL3Z-6K255-A
2	Sprocket - CAM	AT4Z-6256-B
8	Seal	AT4Z-6C262-A
1	Tensioner - Timing Chain	JL3Z-6L266-A
1	Belt/Chain - Timing Primary (6268A)	BL3Z-6268-A
2	Belt/Chain - Timing Secondary (6268B)	AT4Z-6268-A
1	Timing Belt Guide	JL3Z-6B274-A
2	Bolt, Hex Head, (6279A)	AT4Z-6279-D
2	Bolt, Hex Head (6279B)	AT4Z-6279-E
2	Solenoid, Engine Variable Timing (Exhaust)	AT4Z-6M280-A
2	Solenoid, Engine Variable Timing (6M280)	AT4Z-6M280-B
1	Guide, Primary, RH	JL3Z-6K297-A
1	Guide, Primary, LH	AT4Z-6K297-B
2	Guide, Secondary	AT4Z-6K297-D
1	Gear - Crankshaft	GT4Z-6306-A
2	CAM, Exhaust	AT4Z-6C525-D
1	Bolt, M6 x 83MM (HB1)	W714094-S437
3	Bolt, Pivot Stud (HB2)	W714090-S300
4	Bolt, M6 x 25MM (HB3)	W500215-S437
1	Bolt, M6 x 57.5MM (HB4)	W716322-S430
4	Ring, 19MM Diameter (HR1)	AT4Z-8527-B
1	Screw, M6 x 30MM (HS1)	W503279-S437

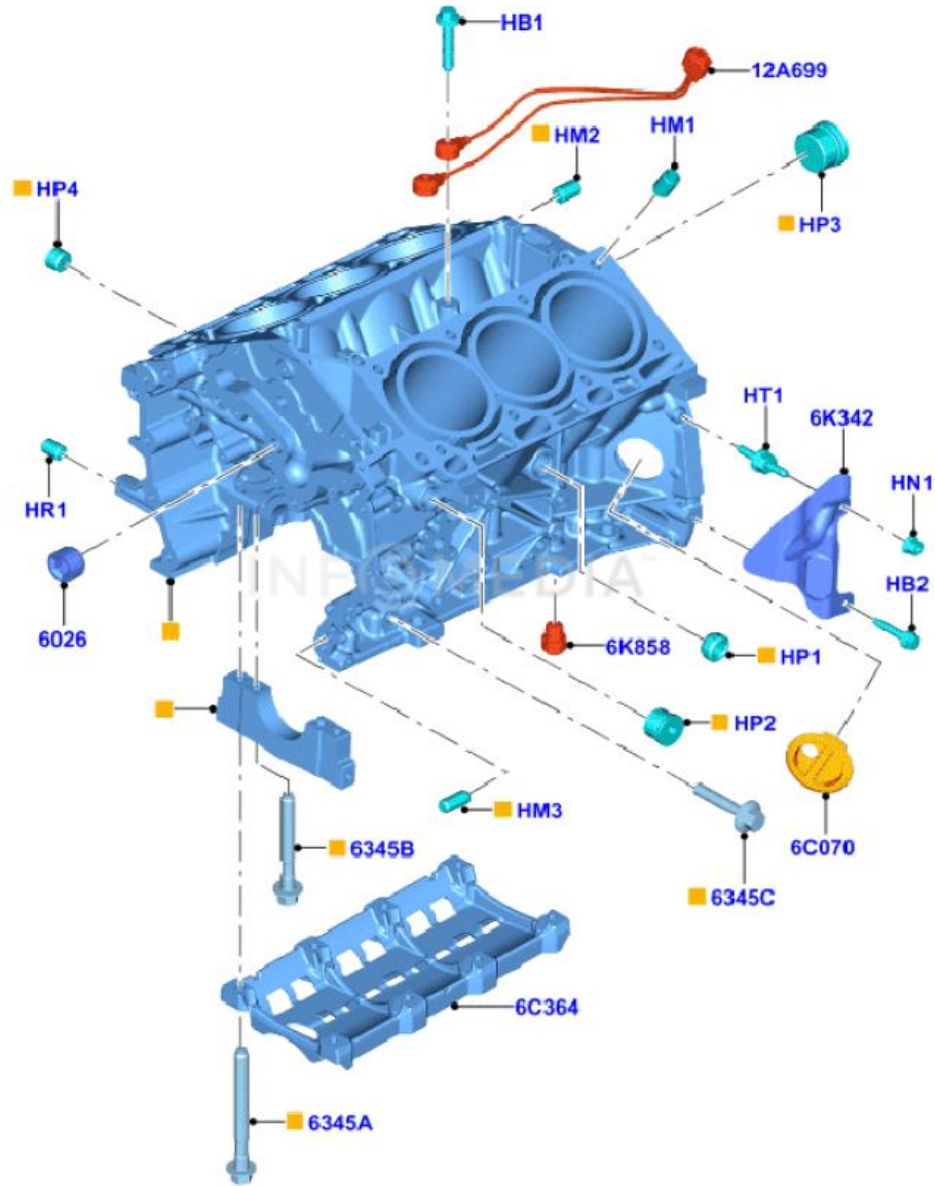
Timing Chain Cover



Quantity	Description	Part #
1	Front Cover	JL3Z-6019-E
1	Gasket	BR3Z-6020-A
1	Front Seal, Crank	XW4Z-6700-AA
16	Bolt, M8 x 35MM (HB1)	W717253-S437
5	Bolt, M8 x 55MM (HB2)	W717501-S437
1	Bolt, M6 x 60MM (HB3)	W503285-S437
2	8 x 18MM Pin (HM1)	W706860-S300
1	Screw, M8 x 85MM (HS1)	W715543-S437

Cylinder Block

■ = 6010

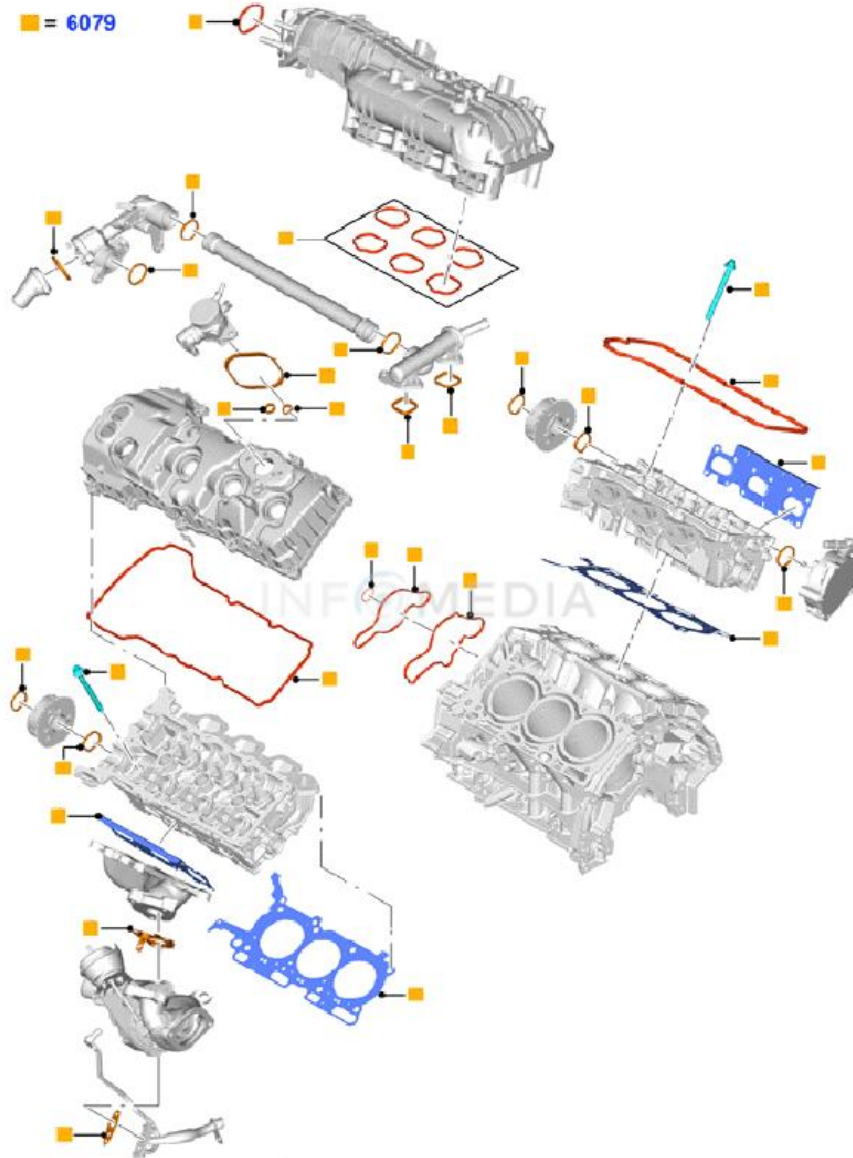


Refer to Next Page for Parts Listing

Cylinder Block

Quantity	Description	Part #
1	Cylinder Block	BL3Z-6010-H
1	Engine Plug - 16MM	7T4Z-6026-A
1	Cover	7T4Z-6C070-AA
1	Shield	HL3Z-6K342-B
8	Bearing Cap Bolt - M10x94MM (6345A)	HL3Z-6345-A
8	Bearing Cap Bolt - M10x115MM (6345B)	HL3Z-6345-B
8	Bearing Cap Bolt, M9 (6345C)	7T4Z-6345-A
1	Brace	BR3Z-6C364-F
6	Nozzle - Piston Cooling	AA5Z-6K868-A
1	Knock Sensor	7T4Z-12A699-A
2	Bolt, M8 x 40MM (HB1)	W500311-S437
1	Bolt, M6 x 30MM (HB2)	W701669-S450
4	Dowel Pin - 13.2 x 19.5MM (HM1)	W709001-S300
2	Dowel Pin - 13 x 19.5MM (HM2)	W718758-S300
2	Pin - 8 x 18MM (HM3)	W706860-S300
1	Nut, M6 x 1 (HN1)	W520101-S450
1	Plug, 3/4"x14 NPTF (HP1)	W701548-S437
1	Plug, M22 (HP2)	W528207-S437
1	Plug, M30 (HP3)	W716818-S437
1	Plug, 3/8 x 18MM (HP4)	W701516-S901
2	Ring, 11 x 15MM (HR1)	W704711-S300
1	Stud, M6 x 15 + M6 x 22MM (HT1)	W701672-S450

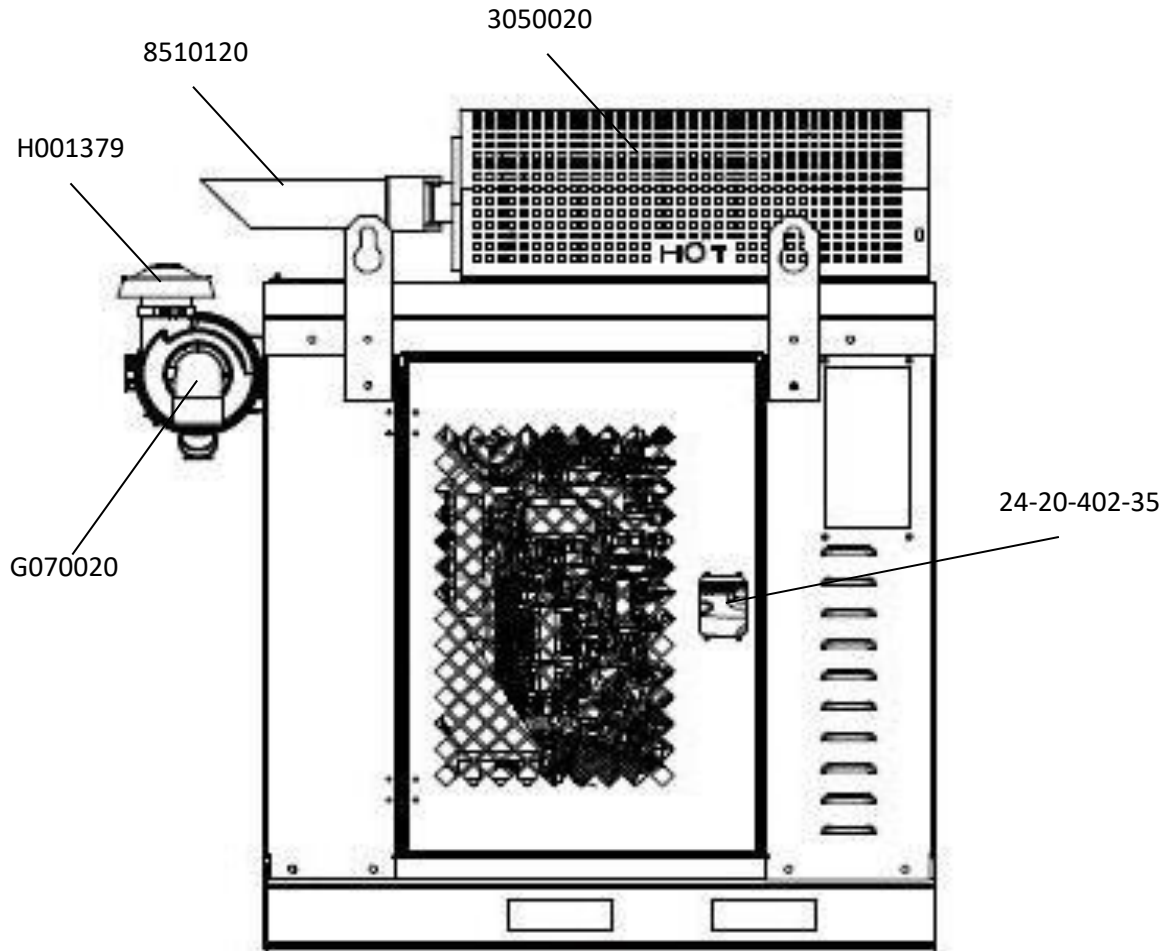
Gasket Kit



Quantity	Description	Part #
1	Gasket Kit	LK4Z-6079-A

NOTE: Gasket Kit is made for the Turbo version of the 3.5L, and does not include all of the required gaskets for EDI's offered 3.5L engine. It also includes gaskets that are not used for EDI's offered 3.5L engine as well.

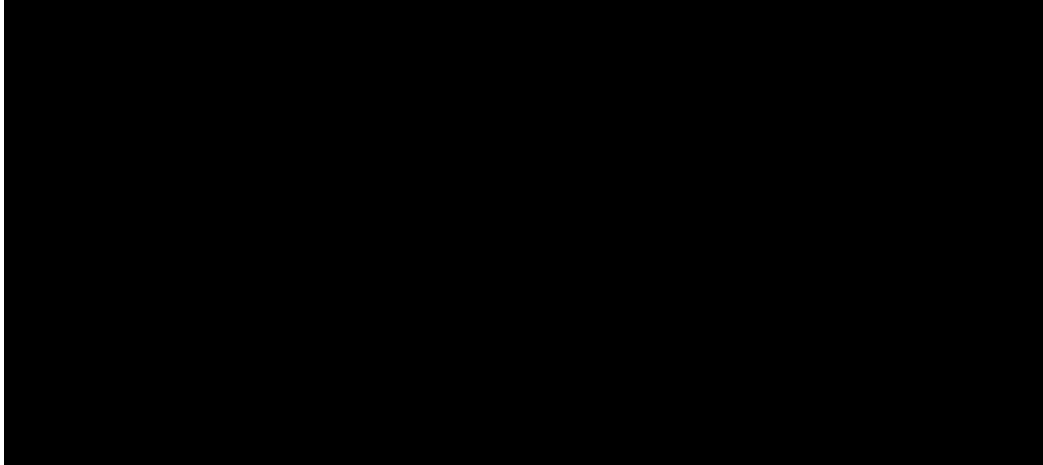
Enclosure



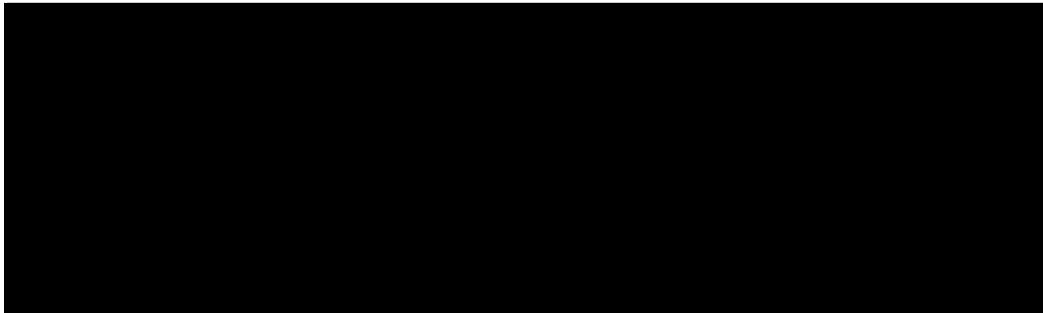
Quantity	Description	Part #
1	Enclosure	3020040
1	Enclosure - Cat Muffler Heat Shield	3050020
2	Door Latches	24-20-402-35
1	Air Cleaner	G070020
1	Air Cleaner Cap	H001379
1	Air Cleaner Mount (to sheetmetal)	H002070
2	Catalyst Muffler Mounts (to sheetmetal)	M002119
1	Exhaust Outlet Pipe	8510120

Hydraulic Pumps, Power Steering and AC

With AC and with Powersteering



Without AC and with Powersteering



Hydraulic Pump Only

Quantity	Description	Part #
1	Hydraulic Pump Kit	117006A
1	Hydraulic Pump (003 version)	26003-RZV
1	Hydraulic Pump (007 version)	66043508
1	Pulley for Hydraulic Pumps	128940
1	Bracket for Hydraulic Pumps	907006
1	Belt For Hydraulic Pumps	5040405
1	Tensioner Bracket	4020130
1	Tensioner	AB39-6A228-AA

Manuals and Labels



Quantity	Description	Part #
1	Operators Manual	1010140
1	Emission Install Instructions	1010150
1	Parts Manual	1010240
1	Service Manual	1010230
1	Emission Label	1010270
1	Model & Serial # Label	1010260
1	Specification Sheet	1010160