



P/N: 7319
 DRAWN BY: B. DELORENZO
 DATE: 10-11-2018
 REVISED BY:
 DATE:

DESCRIPTION: POWER DISTRIBUTION ASSEMBLY
 C27-C32 24V

NOTES:

COLOR KEY	
RED	POSITIVE/COMMON
BLACK	GROUND/RETURN
GREEN	INPUT
BLUE	OUTPUT
LT. BLUE	CAN-BUS/J-1939

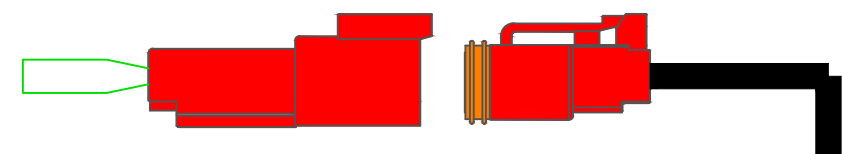
PROPRIETARY DATA OF LOR MANUFACTURING COMPANY, INC. IT IS NOT TO BE DISCUSSED OR USED FOR ANY PURPOSE OR CONVEYED TO OTHERS WITHOUT THE SPECIFIC AUTHORIZATION OF LOR MANUFACTURING COMPANY, INC.

ALL GROUNDS MUST GO TO BATTERY GROUND
 ALL POSITIVES MUST GO TO BATTERY POSITIVE

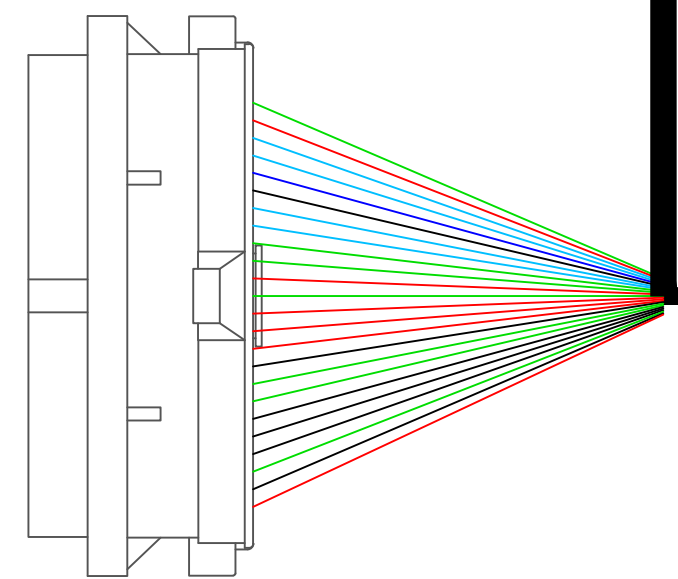
PUT 7319 PART AND JOB NUMBER STICKER ON BACKSIDE OF PRINTED CIRCUIT BOARD

C27-C32 24V POWER DISTRIBUTION MODULE

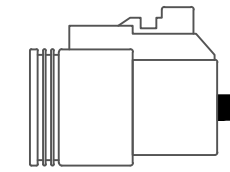
HIGH IDLE OVERRIDE



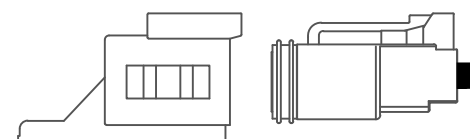
70 SOCKET ECM



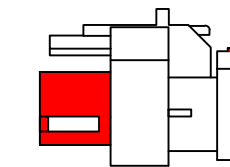
COOLANT LEVEL SENSOR



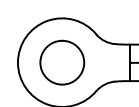
AUTO ETHER AID



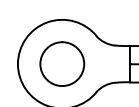
AIR TEMP



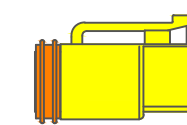
START SOLENOID 1



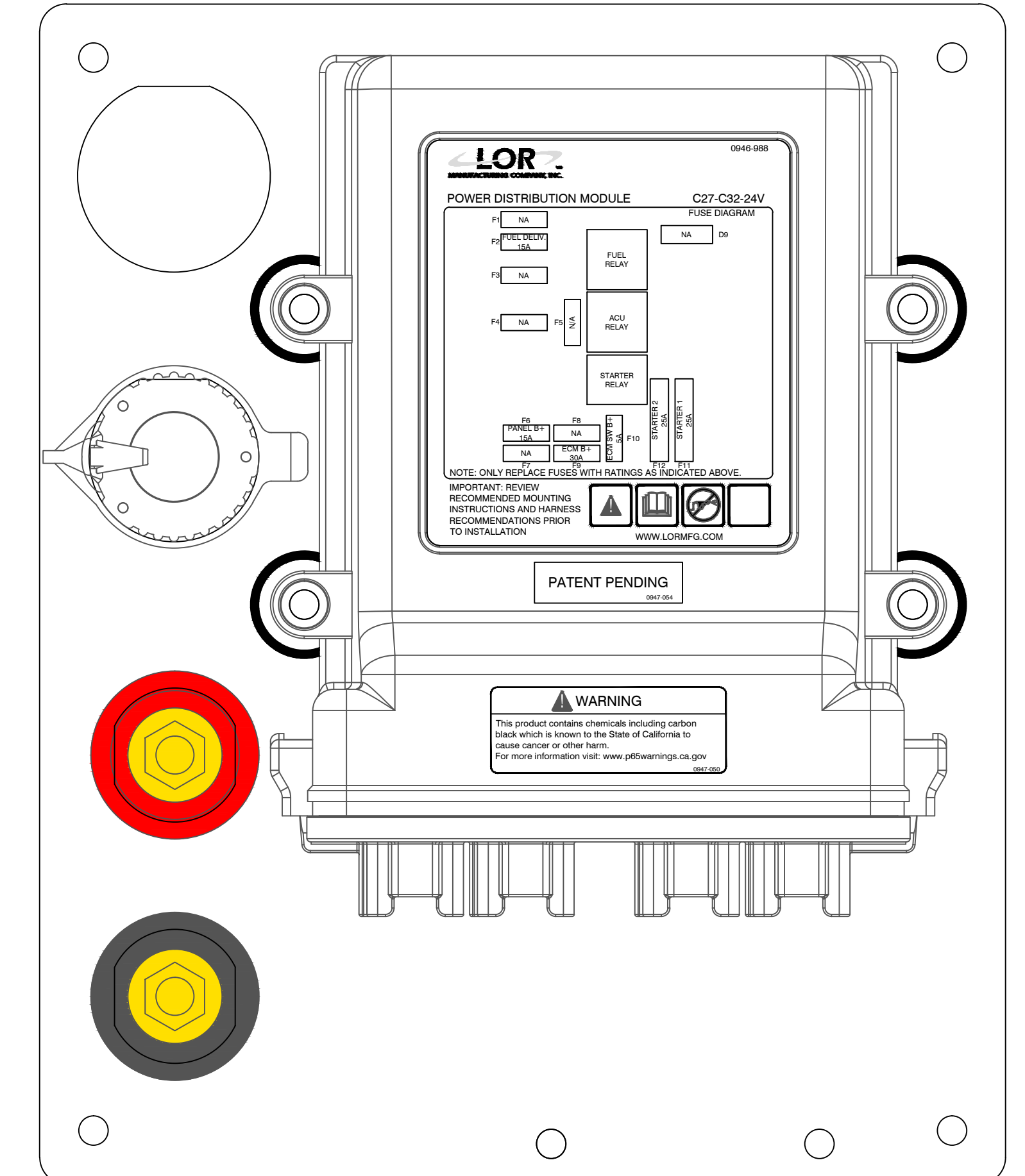
START SOLENOID 2



FUEL PRIME



TO POWER DISTRIBUTION MODULE



#	WIRE	GAUGE	DESCRIPTION	TOTAL LENGTH
[A]	BLACK	AWG-1/0	BLOCK GROUND CIRCUIT	15 IN.
[B]	RED	4 GA.	ALT POS CABLE - 5/16" TO 1/4" RING	16 IN.
[C]	RED	4 GA.	ALT POS CABLE - 1/2" TO 1/4" RING	52 IN.
[D]	BLACK	4 GA.	ALT CABLE - 1/2" TO 1/4" RING	52 IN.

